

LED T8 BY PASS INSTALLATION

Instructions for Double-Ended Wiring Installation

Removing Existing Fluorescent System

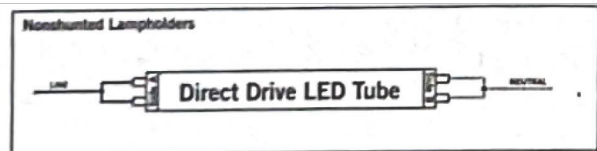
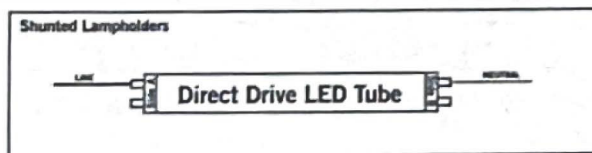
1. Disconnect power from fixture.
2. Remove fluorescent lamp(s).
3. Remove lens and wiring compartment, if applicable.
4. Cut all wires connected to the ballast as shown in Diagrams A, B, and C
5. Identify what type of lampholders are in fixture. Double-Ended wiring installations of the tubes can be used with shunted G13 or nonshunted G13 lampholders (with instructions to externally shunt) See Figures 1 and 2

Installing the Lamps

1. Ensure power is disconnected from fixture.
2. Make sure fixture is properly grounded.
3. Follow step 1 for single lamp application or steps 2 & 3 for multiple lamp applications, based on the # of lamps in the fixture.

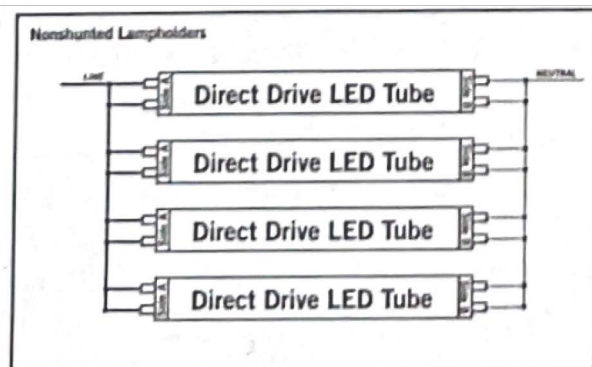
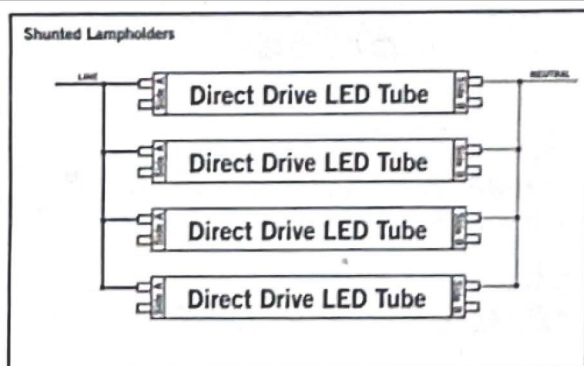
Single Lamp

1. From AC wires, connect line (L) to Side A lampholder and neutral (N) to Side B lampholder. If only one lamp is being installed, proceed to step 4



Multiple Lamps

2. Follow the steps above for single lamp connection to connect the first lamp.
3. Connect the terminals from the first lamp to the matching terminals on the lampholder of the second lamp with line and neutral wires as shown below. Continue daisy-chain connection for each additional lamp.



4. Complete all electrical connections with appropriate connections/wire nuts as needed, per all local and national electrical codes

NOTE: There should not be any exposed wires from sockets left unconnected.

5. Replace wiring compartment cover.
6. Install tubes so that the LED's are positioned in the proper direction for illumination, and install any lens or diffuser as applicable.
7. Installation is complete. Power can be supplied to fixture.

	Type:
Project Name:	Part Number:
Date:	

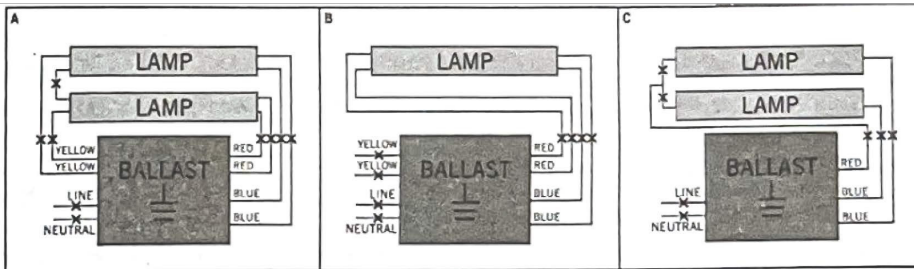
LED T8 BY PASS INSTALLATION

Instructions for Single-Ended Wiring Installation

Removing Existing Fluorescent System

1. Disconnect power from fixture.
2. Remove Fluorescent lamp(s).
3. Remove lens and wiring compartment, if applicable.
4. Cut all wires connected to the ballast as shown below and remove ballast.
5. Identify what type of lampholders are in fixture. Single-Ended wiring installations of the tubes require non-shunted G-13 lampholders.
6. If applicable, replace lampholders with non-shunted lampholders.

Typical Ballast Configurations



CAUTION: Use only non-shunted lampholders for Single-Ended wiring installations. Do not perform Single-Ended wiring installation of product in a fixture with shunted lampholders (found in all fixtures using instant start ballasts). If the existing lampholders are shunted, and Single-Ended wiring is desired, remove and replace them with non-shunted lampholders (or remove the external shunt if applicable). Make new connections directly to lampholder terminals as shown in figure.

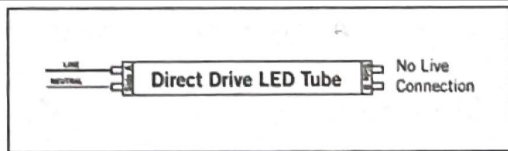
Installing the Lamps

NOTE: For Single-Ended wiring installations, power is only applied to endcap Side A. DO NOT apply to Side B.

- I. Confirm that power is still disconnected from fixture.
- II. Make sure fixture is properly grounded.
- III. Follow step 1 for single lamp application or steps 2 & 3 for multiple lamp application, based on number of lamps in fixture

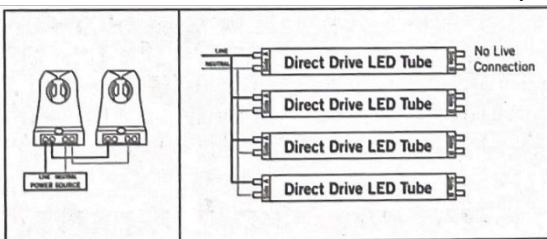
Single Lamp

1. On the Side A lampholder, connect line (L) and neutral (N) AC wires to the corresponding ends marked (L) and (N) on the encap. If only one lamp is being installed, proceed to step 4.



Multiple Lamps

2. Follow steps above for single lamp connection to connect the first lamp
3. Connect the terminals on the powered lampholder on the first lamp to the matching terminals on the powered lampholder on the second lamp with line and neutral wires as shown below. Continue daisy chain connection for each additional lamp.



4. Complete all electrical connections with appropriate connectors/wire nuts as needed, per all local and national electrical codes.

NOTE: There should not be any exposed wires from sockets left unconnected.

5. Replace wiring compartment cover.
6. Make sure Side A is installed in the lampholders wired to the Line and Neutral. Install LED so that the LED's are pointed in the proper direction for illumination and install lens or diffuser.
7. Apply power to fixture.

