

Project: _____

Type: _____

Drawn by: _____ Catalogue #: _____

Date: _____

Individual Spec Sheet

TRADITIONAL RECESSED

ORDERING INFORMATION

Order code: 64364
Model number: RF4in/NC/IC/GU10/ELUME
UPC: 069549643642
Case quantity: 6

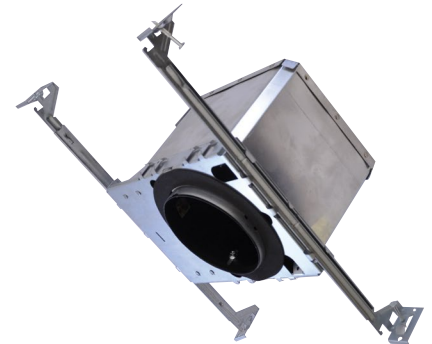
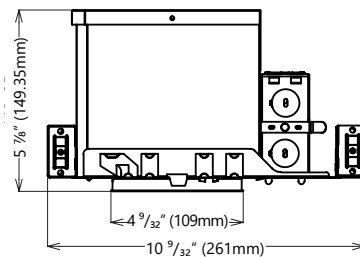
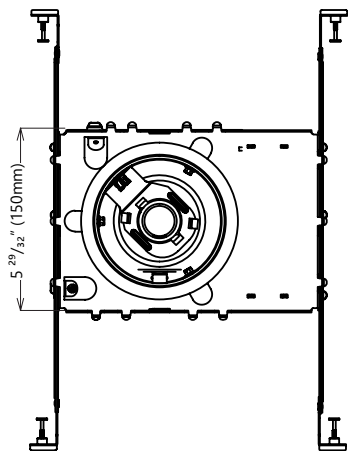
PHYSICAL DATA

Type: New Construction - IC Airtight
Housing material: Industrial-strength galvanized steel
Size in. (mm): 4 ¼ (108)
Cutting hole diameter in. (mm): 4 ½ (114)

PERFORMANCE DATA

Sockets: GU10
Volts (V): 120
Thermal protection: Yes
Junction box: Yes
Wire to wire connectors: Yes

DIMENSIONS



1¹
warranty

airtight

6 damp location

50w maximum per lamp



¹ For complete warranty information please visit www.standardpro.com

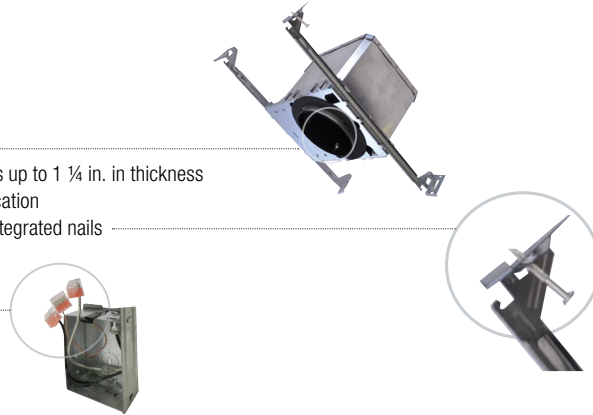
Max. of 4 no. 12 AWG through branch circuit conductor suitable for 90°C permitted in box.
 This lighting equipment complies with Canadian standard ICES-005 for use in residential applications.
 Data is based upon tests performed in a controlled environment.
 Actual performance can vary depending on operating conditions. Specifications are subject to change without notice.

COMPATIBLE LAMPS AND TRIMS

Compatible lamps	Max Wattage (W)	Compatible E-Lume trims
MR16 (GU10)	35	64386, 64388
MR16 (GU10)	50	64370, 64371, 64375, 64380, 64382, 64385

INSTALLATION

- Screw adjusting system
- Permits the installation in ceilings up to 1 ¼ in. in thickness
- Suitable for double drywall application
- Hanger bars included with pre-integrated nails
- Push-in connectors



CAUTIONS

- Turn power off before inspection, installation, or removal
- Risk of electric shock – do not use where directly exposed to water or weather
- Risk of fire. Blinking light of this thermally protected fixture may indicate overheating
- Minimum 90 °C supply conductor
- May be interconnected using the same circuit
- Use with ELUME trims only

Qty	Description	Price

I accept the specifications of the luminaire configuration mentioned above.

Name: _____

Company: _____

Signature: _____

Date: _____

Data is based upon tests performed in a controlled environment. Actual performance can vary depending on operating conditions. All products are subject to change or may be discontinued any time without notice.