

Project: _____

Type: _____

Drawn by: _____ Catalogue #: _____

Date: _____

Individual Spec Sheet

TRADITIONAL RECESSED

ORDERING INFORMATION

Order code: 62695
Model number: RF4.5in/OUT.SOF/BLK/E26/STD
UPC: 069549626959
Case quantity: 12

PHYSICAL DATA

Type: Outdoor soffit
Finish: Black
Housing material: Industrial-strength galvanized steel
Can diameter: 4 1/2 (114)
Cutting hole diameter: 4 3/4 (121)
Sockets: E26

PERFORMANCE DATA

Compatible lamp: BR30¹, PAR30²
Volts (V): 120
Thermal protection: Yes
Junction box: Yes
Wire to wire connectors: Yes

INSTALLATION

- Screw-in mounting system
- Permits the installation in ceilings up to 1 1/4 in. in thickness
- Suitable for double drywall application
- Wire to wire connectors

CAUTIONS

- Turn power off before inspection, installation, or removal
- Risk of electric shock – do not use where directly exposed to water or weather
- Risk of fire. Blinking light of this thermally protected fixture may indicate overheating
- Minimum 90 °C supply conductor
- Do not install insulation within 3 in. (76 mm) of any part of the fixture
- May be interconnected using the same circuit
- Use with STANDPRO trims only



1
yr
warranty

6
damp
location

65w
maximum
per lamp

75w
maximum
per lamp

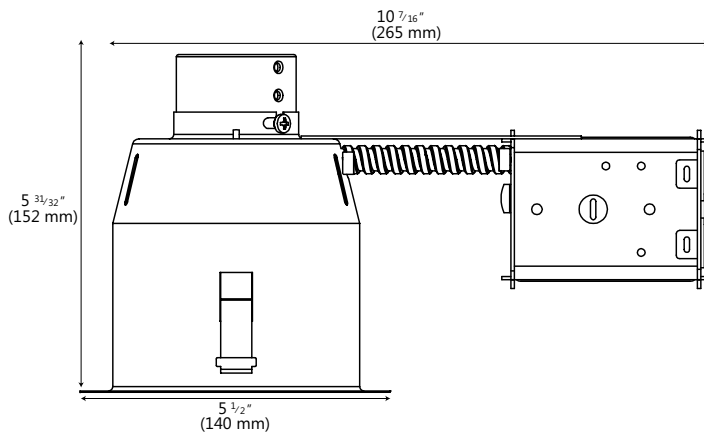


This lighting equipment complies with Canadian standard ICES-005 for use in residential applications.
Max. of 4 no. 12 AWG through branch circuit conductor suitable for 90°C permitted in box.
For complete warranty information please visit www.standardpro.com

COMPATIBLE ACCESSORIES

Order code	Model number	Type
62670	RF/ACC/BAF/4.5/BLK/OUT.SOF/STD	Baffle
62671	RF/ACC/BAF/4.5/WH/OUT.SOF/STD	Baffle
62772	ACC/MPLATE/4.625IN/HANG.BARS/STD	Mounting plate with hanger bars
66052	ACC/MPLATE/4.75IN/SQR/STD	Square mounting plate

DIMENSIONS



Qty	Description	Price

I accept the specifications of the luminaire configuration mentioned above.

Name: _____

Company: _____

Signature: _____

Date: _____

Data is based upon tests performed in a controlled environment. Actual performance can vary depending on operating conditions.
 All products are subject to change or may be discontinued any time without notice.