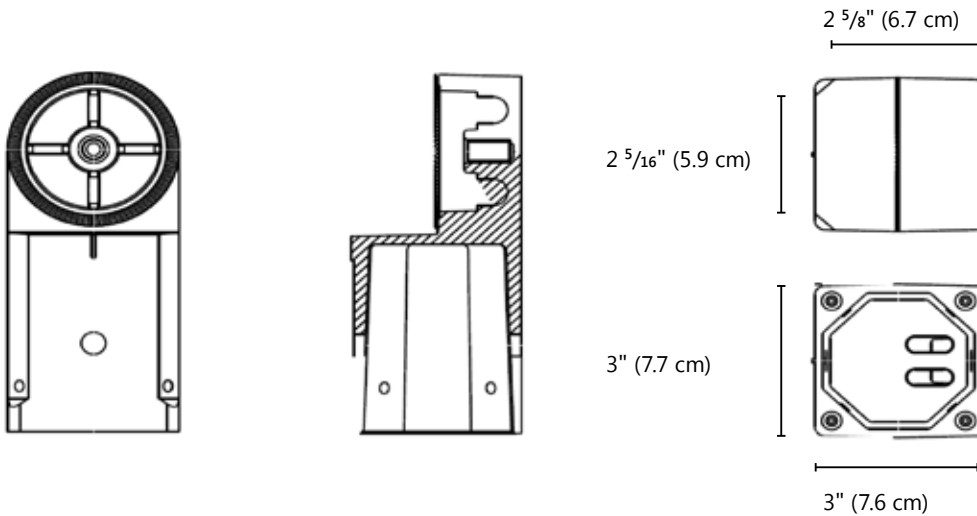


## ORDERING INFORMATION

Order code: 63345  
 Description: SF/BACKET/WP/SLM/STD  
 UPC: 069549633452  
 Case quantity: 5



## TECHNICAL DRAWINGS



## COMPATIBLE LUMINAIRES

Type	Order code	Description
UNIVERSAL SLIM SERIES	63316	LED/WP/SLM/50W/40K/120-277V/STD
UNIVERSAL SLIM SERIES	63317	LED/WP/SLM/80W/40K/120-277V/STD

The attached data is provided to assist users in making lighting decisions based on various assumptions, factors and methods. Resources and efforts have been put in place to account for the data and the development of this tool however STANDARD does not warrant or guarantee that the results obtained will be accurate under actual use conditions. A lighting layout is recommend to ensure the proper light levels are attained to satisfy the demand of the application Data is based upon tests performed in a controlled environment and representative of relative performance. Actual performance can vary depending on operating conditions. Specifications are subject to change without notice.