

Project: \_\_\_\_\_ Type: \_\_\_\_\_

Drawn by: \_\_\_\_\_ Catalogue #: \_\_\_\_\_ Date: \_\_\_\_\_

## Individual Spec Sheet

# THB

## TEMPORARY LED HIGH BAY

### ORDERING INFORMATION

**Order code:** 67902  
**Model number:** THB/DSC/60W/CW/ND/OR/STD  
**UPC:** 069549679023  
**Case quantity:** 4

### PHYSICAL DATA

**Housing color:** Orange  
**Cage material:** Aluminum  
**Can be daisy chained:** Yes: Up to 10 luminaires  
**Wire specification:** 18 AWG/3C  
**Wire length:** 20 ft (6 m)

### PERFORMANCE DATA

**Watts (W):** 60  
**Volts (VAC):** 120  
**Color temperature (K):** Cool White  
**Lumen output (lm):** 6 300  
**Efficiency (lm/W):** 105  
**CRI:** 80  
**Life L70 (h):** 54 000  
**Beam angle (°):** 360  
**Surge protection (kV):** 6  
**Operating temp. range:** -30 °C to 40 °C (-22 °F to 104 °F)  
**Operating position:** Universal

<sup>1</sup> Typical color temperature range: +/- 5 %.

<sup>2</sup> Lumen values are derived from photometric testing. Initial lumens range: +/- 10 %.

<sup>3</sup> Life hours are derived from IESNA LM80-08 testing report and projected per IESNA TM-21-11 extrapolations.

### ACCESSORY (order separately)

Order code	Type
67947	Replacement Wireless Remote Control



WIRELESS  
REMOTE CONTROL

**5** yrs  
warranty



quick  
ship



LED  
fixture

**6**  
damp  
location



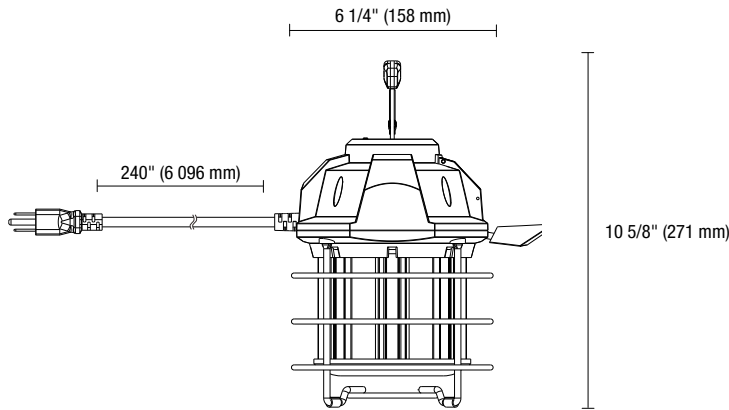
ICES  
005



IK10



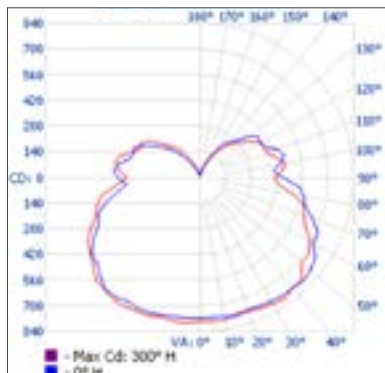
**DIMENSIONS**



**PHOTOMETRIC DATA<sup>1</sup>**

67902 • THB/DSC/60W/CW/ND/OR/STD • 6 376.0 lm

**Polar candela distribution**



**Zonal lumen summary**

Zone	Lumens	% Fixture
0-30	644.4	10.1
0-40	1 134.6	17.8
0-60	2 400.7	37.7
60-90	1 840.7	28.9
70-100	1 693.7	26.6
90-120	1 428.2	22.4
0-90	4 241.4	66.5
90-180	2 134.6	33.5
0-180	6 376.0	100

<sup>1</sup> Complete IES files available on our website.

Qty	Description	Price

I accept the specifications of the luminaire configuration mentioned above.

Name: \_\_\_\_\_

Company: \_\_\_\_\_

Signature: \_\_\_\_\_

Date: \_\_\_\_\_

Data is based upon tests performed in a controlled environment. Actual performance can vary depending on operating conditions. All products are subject to change or may be discontinued any time without notice. Please contact your Stanpro customer service representative to confirm inventory levels at time of order.