

Technical Information Bulletin

LED Lamps



Date: _____ Name of distributor: _____
 In hands date of project: _____ Client #: _____
 Project name/Number: _____ Name of end user: _____

ORDERING INFORMATION

Order code: 67048
 Description: CRNHB/150W/40K/BYP/100-277/ND/EX39/STD
 UPC: 69549670488
 Case quantity: 4

PHYSICAL DATA

Base: EX39
 Type: High Intensity Highbay Retrofit



PERFORMANCE DATA

Watts (W): 150
 Install method: Ballast bypass
 Lamp volts (VAC): 120-277
 Colour temperature (K)¹: 4 000
 Life L70 (hrs): 50 000
 Bare lumens (lm)²: 21 000
 Bare lumens per watt (lm/W): 140
 Lumens (lm): 17 195
 Lumens per watt (lm/W): 115
 CRI: 80
 Beam angle (°): 110
 Power factor: >0.9
 Operating temperature range: - 40 °C to 45 °C (-40°F to 113 °F)

TRADITIONAL EQUIVALENT

CFL	Incandescent	HID
-	-	400W

¹ Typical colour temperature range: +/- 5 %

² Lumen values are derived from photometric testing. Initial lumens range: +/- 10 %



*This product complies with UL1598C Standard for LED luminaire Retrofit kits. Not suitable for hazardous location.

DESCRIPTION AND OTHER OPTIONS

CRNHB	/	150W	/	40K	/	BYP	/	100-277	/	ND	/	EX39	/	STD
Family		Watts		Colour temp.		Installation		Volts		Dimmable		Base		Brand
CRNHB LED High Intensity high bay retrofit		150W 150 watts		40K 4 000 K 50K 5 000 K		BYP Ballast bypass		100-277V 100-277 volts		ND Non-dimmable		EX39 EX39 mogul		STD Standard

This lighting equipment complies with Canadian standard ICES-005 for use in residential applications. Data is based upon tests performed in a controlled environment and representative of relative performance. Actual performance can vary depending on operating conditions. Specifications are subject to change without notice.

Technical Information Bulletin

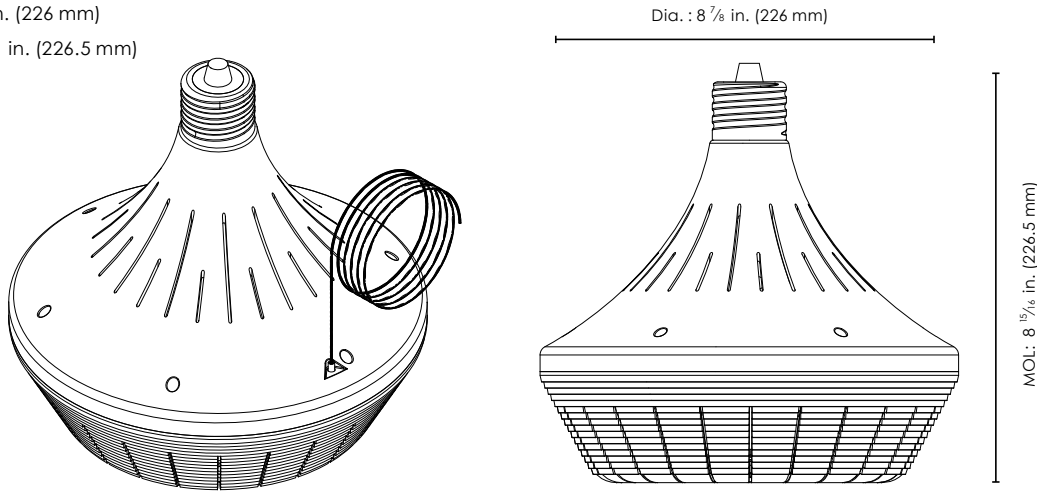
LED Lamps



ORDER CODE : 67048

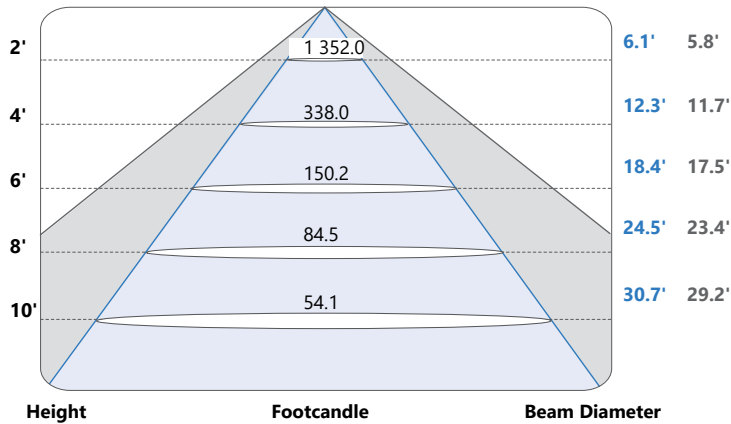
TECHNICAL DRAWINGS AND DIMENSIONS

Diameter: 8 7/8 in. (226 mm)
Height: 8 15/16 in. (226.5 mm)



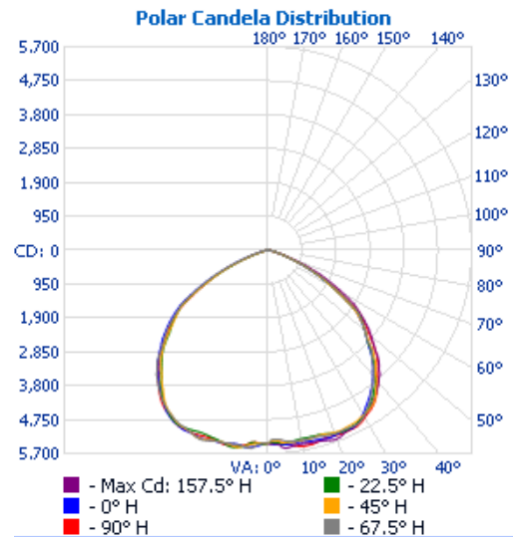
BEAM SPREAD*

Vertical spread - 113.8°
 Horizontal spread - 111.2°



*Complete IES files available on our website

CANDELA DISTRIBUTION*



Qty	Description	Price

I accept the specifications of the luminaire configuration mentioned above.

Name: _____
 Company: _____
 Signature: _____

Date: _____