

Project: \_\_\_\_\_ Type: \_\_\_\_\_

Drawn by: \_\_\_\_\_ Catalogue #: \_\_\_\_\_ Date: \_\_\_\_\_

## Individual Spec Sheet

# LED WALL SCONCE - TRADITIONAL

## Triple Module

### ORDERING INFORMATION

**Order code:** 65842  
**Model number:** SVAN/TRIPLE/30W/30K/BN/F/STD  
**UPC:** 069549658424  
**Case quantity:** 6

### PHYSICAL DATA

**Housing finish:** Brushed Nickel  
**Lens Finish:** Reversible Frosted Lens – Glossy Or Matte Finish  
**Lens Material:** Acrylic  
**Mounting:** Surface Mount

### PERFORMANCE DATA

**Watts (W):** 30  
**Volts (V):** 120  
**Colour temp. (K):** 3 000  
**Lumen output (lm):** 1 800  
**Lumen per Watts (lm/W):** 60  
**CRI:** 90  
**Life L70 (h):** 50 000  
**Beam angle (°):** 120  
**THD (%):** <30  
**Power factor:** >0.9  
**Frequency (Hz):** 60  
**Dimmer type:** Forward and Reverse phase  
**Operating temp. range:** -20°C to 45°C (-4°F to 113°F)

<sup>1</sup> Typical colour temperature range: +/- 5 %.

<sup>2</sup> Lumen values are derived from photometric testing. Initial lumens range: +/- 10 %.

<sup>3</sup> Life hours are derived from IESNA LM-80 testing report and projected per IESNA TM-21 extrapolations.

### ACCESSORIES (order separately)

Order code	Part number	Type	Finish / color	Case qty (inner/master)
65959	SVAN/LENS/F/STD	Lens for modular vanity and wall sconce	Frosted	10/200

### COMPATIBLE DIMMERS

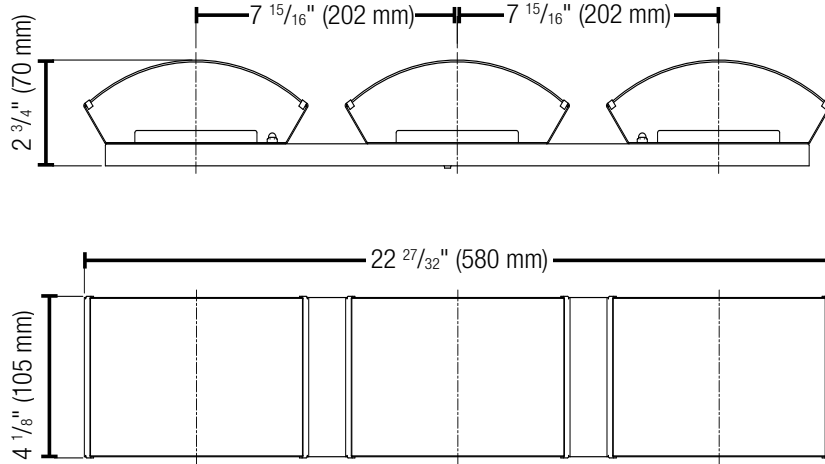
Brand	Model
LEGRAND	HCL453P
COOPER	DAL06P, SLC03P, AAL06
LEVITON	6615, IPL06, 6674, DSL06-1LZ, DSM10-1LZ, IPE04-1Lz
LUTRON	PD-6WCL, CTCL-153P, DVCL-253P, AYCL-253P, DVELV-300P, SELV-300P, MACL-153P

NOTE: The above table shows dimmers that have been tested and have demonstrated proper operation under normal conditions. Each installation being unique, various factors such as load, common neutrals or other electrical products on the circuit can, in certain instances, cause variance in system performance. Read and comply to the dimmer installation instructions. Consult dimming system manufacturer for additional support in operation. Stanpro recommends to use dimmers designed to work with LED products. Older dimmers designed for incandescent products may cause erratic operation. Some dimmers may require more than one product for stable operation. The maximum number of products is determined by the dimmer wattage rating with LEDs. Be careful, these dimmers have different ratings depending on the product type. Again, refer to the dimmer installation instructions.

This lighting equipment complies with Canadian standard ICES-005 for use in residential applications. Data is based upon tests performed in a controlled environment. Actual performance can vary depending on operating conditions. Specifications are subject to change without notice.



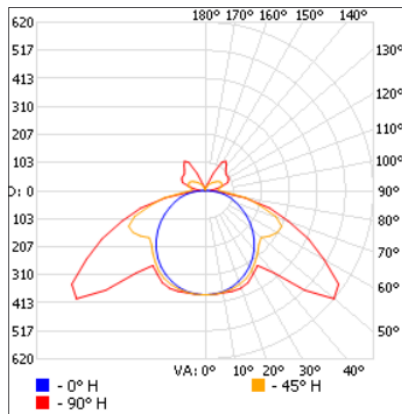
**DIMENSIONS**



**PHOTOMETRIC DATA<sup>1</sup>**

65842 • SVAN/TRIPLE/30W/30K/BN/F/STD • 1 922.4 lm

**Polar candela distribution**



**Zonal lumen summary**

Zone	Lumens	% Fixture
0-30	306.9	16
0-40	509.9	26.5
0-60	1 088.9	56.6
60-90	544.8	28.9
70-100	310.6	16.2
90-120	145.0	7.5
0-90	1 643.7	85.5
90-180	278.7	14.5
0-180	1 922.4	100

**Illuminance at a distance**

Center beam fc		Beam width	
1.7'	133	5.1'	9.9'
3.3'	35.2	10.0'	19.2'
5.0'	15.3	15.1'	29.0'
6.7'	8.54	20.3'	38.9'
8.3'	5.56	25.1'	48.2'
10.0'	3.83	30.3'	58.0'

■ Vert. spread: 113.1°  
■ Horiz. spread: 142.0°

<sup>1</sup> Complete IES files available on our website.

Qty	Description	Price

I accept the specifications of the luminaire configuration mentioned above.

Name: \_\_\_\_\_  
 Company: \_\_\_\_\_  
 Signature: \_\_\_\_\_

Date: \_\_\_\_\_

Data is based upon tests performed in a controlled environment. Actual performance can vary depending on operating conditions. All products are subject to change or may be discontinued any time without notice.