

Project: _____

Type: _____

Drawn by: _____ Catalogue #: _____

Date: _____

Individual Spec Sheet

VTL8-L GEN. 2

3 CCT AND POWER SELECTABLE, NEMA 4X, NSF 8FT VAPOR TIGHT

ORDERING INFORMATION

Order code: 69569
Model number: VTL8-PS110B-Q-3C
UPC: 069549027787
Case quantity: 1
DLC unique ID: S-0IY51Q (DLC Premium¹) / S-CYM3SB (DLC Premium²) / S-DJH3F0 (DLC Standard³)

PHYSICAL DATA

Length in. (cm): 93.5 x 4.7 x 3.9" (237.5 x 12 x 10 cm)
Lens material: Polycarbonate frosted lens
Latch material: Stainless Steel
Housing material: Polycarbonate
Mounting: Surface, suspended

PERFORMANCE DATA

Watts (W): 65/75/90/110
Volts (V AC): 120-347
Color temperature (K):¹ 3 CCT (3 500/4 000/5 000 K)
Lumen output (lm):² 9 796/11 148/13 121/16 101
Efficacy (lm/W): 146
CRI: 80+
Life L70 (h):³ > 54 000
Tested LM-80 (h):³ 9 000
Dimming: 0-10 V
Power factor: >0.90
THD (%): <20
Frequency (Hz): 50/60
Operating temp. range: -40 °C to +40 °C (-40 °F to +104 °F)

¹ Typical color temperature range: +/- 5 %.

² Lumen values are derived from photometric testing. Initial lumens range: +/- 10 %.

³ Life hours are derived from IESNA LM-08 testing report and projected per IESNA TM-11 extrapolations.

LUMEN SPECIFICATION TABLE

Watts (W)	3 500 K		4 000 K		5 000 K	
	Lumen output (lm)	Efficacy (lm/W)	Lumen output (lm)	Efficacy (lm/W)	Lumen output (lm)	Efficacy (lm/W)
65	9 512	146	9 796	150	9 651	148
75	10 824	144	11 148	148	10 982	146
90	12 740	141	13 121	146	12 926	143
110	15 634	142	16 101	146	15 862	144

DEFAULT PROGRAMMING

110 W / 4 000 K

¹ Primary Use Designation: Stairwell and Passageway Luminaires

² Primary Use Designation: High-Bay Luminaires for Commercial and Industrial Buildings

³ Primary Use Designation: Direct Linear Ambient Luminaires

This lighting equipment meets requirements of ICES-005 issue 5 class B for use in residential applications.

Data is based upon tests performed in a controlled environment.

Actual performance can vary depending on operating conditions. Specifications are subject to change without notice.



Not all products are qualified on the DLC QPL. To view our DLC qualified products, please consult the DLC Qualified Products List at www.designlights.org/search.

ACCESSORIES (sold separately)

Order code	Type
69588	Surface Mounting Brackets and V-Hooks (set of 2pcs)
69589	90° Angle Brackets (set of 2pcs)
69591	Tamper Proof Brackets (set of 4pcs)
69669 ¹	Junction Box Bracket (set of 2pcs)
69994	8ft replacement frosted polycarbonate lens
70014	Stainless steel replacement latch kit with hole (set of 20pcs)
70403	Replacement hardware kit: watertight end caps (2pcs), watertight glands (2pcs), surface mount brackets (2pcs), V-hooks (2pcs) and mounting hardware
70404	Replacement watertight gland (1pc)
70405	Replacement watertight end cap (1pc)
69084	Vandal Resistant Screw (18pcs)
69085	Bit for Vandal Resistant Screw (1pc)

¹ Accessory requires additional center hole (CH) on top of housing. Fixture maintains wet location status, however NEMA 4X and IP ratings are not applicable with CH. Please see installation instructions for more details

SMART ACCESSORIES (sold separately)

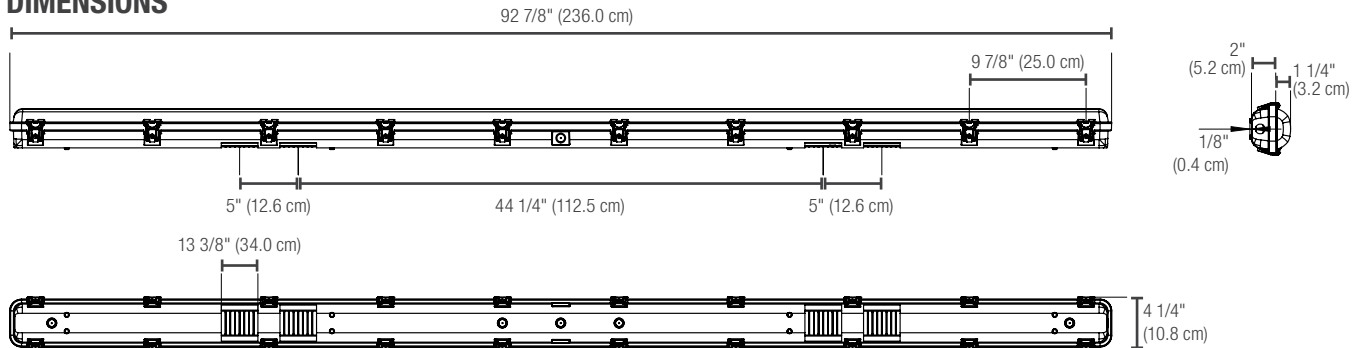
Order code	Type
69733	Genio Bluetooth® Mesh internal integrated fixture adapter
70222	Genio Bluetooth® Mesh kit internal high frequency sensor (69732) and integrated fixture adapter (69733)

COMPATIBLE DIMMERS¹

Brand	Model
LUTRON	DVSTV-453P, MAESTRO MS-Z101
LEVITON	DS710-10Z, DD710-BDZ, IP710-LFZ

¹ This table shows dimmers that have been tested and have demonstrated proper operation under normal conditions. Each installation being unique, various factors such as load, common neutrals or other electrical products on the circuit can, in certain instances, cause variance in system performance. Read and comply to the dimmer installation instructions. Consult dimming system manufacturer for additional support in operation. Some dimmers may require more than one product for stable operation. Stanpro recommends to use dimmers designed to work with LED products. Older dimmers designed for incandescent products may cause erratic operation.

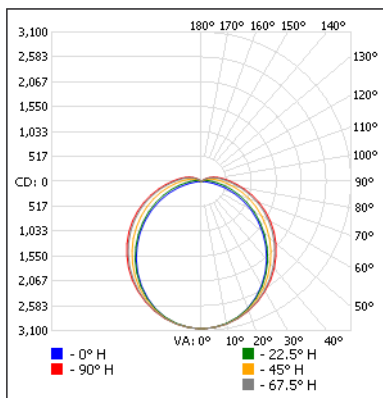
DIMENSIONS



PHOTOMETRIC DATA¹

69569 • VTL8-PS110B-Q-3C • 65 W • 4 000 K • 10 255 lm

Polar candela distribution



Zonal lumen summary

Zone	Lumens	% Fixture
0-30	2 360.8	23
0-40	3 861.4	37.7
0-60	6 894.6	67.2
60-90	2 657.7	25.9
70-100	1 777.8	17.3
90-120	631.8	6.2
0-90	9 552.2	93.1
90-180	702.6	6.9
0-180	10 254.9	100

Illuminance at a distance

Center beam fc		Beam width	
1.7'	1 059	4.5'	6.7'
3.3'	281	8.7'	13.0'
5.0'	122	13.2'	19.8'
6.7'	68.2	17.7'	26.5'
8.3'	44.4	21.9'	32.8'
10.0'	30.6	26.3'	39.5'

Vert. spread: 105.6°
Horiz. spread: 126.3°

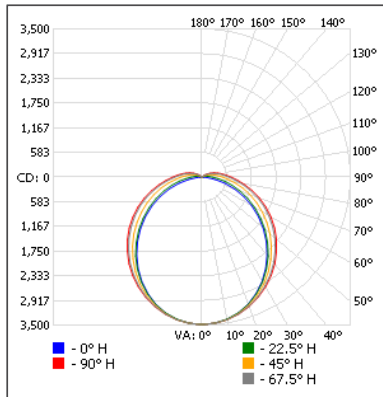
¹ Complete IES files available on our website.

Data is based upon tests performed in a controlled environment. Actual performance can vary depending on operating conditions. All products are subject to change or may be discontinued any time without notice. Please contact your Stanpro customer service representative to confirm inventory levels at time of order.

PHOTOMETRIC DATA¹

69569 • VTL8-PS110B-Q-3C • 75 W • 4 000 K • 11 676 lm

Polar candela distribution



Zonal lumen summary

Zone	Lumens	% Fixture
0-30	2 687.9	23
0-40	4 396.4	37.7
0-60	7 849.9	67.2
60-90	3 026.0	25.9
70-100	2 024.2	17.3
90-120	719.4	6.2
0-90	10 875.8	93.1
90-180	800.0	6.9
0-180	11 675.8	100

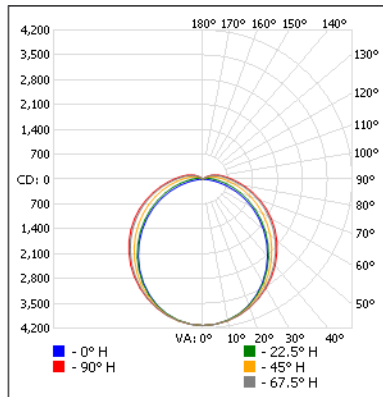
Illuminance at a distance

Center beam fc		Beam width	
1.7'	1 206	4.5'	6.7'
3.3'	320	8.7'	13.0'
5.0'	139	13.2'	19.8'
6.7'	77.6	17.7'	26.5'
8.3'	50.6	21.9'	32.8'
10.0'	34.8	26.3'	39.5'

■ Vert. spread: 105.6°
■ Horiz. spread: 126.3°

69569 • VTL8-PS110B-Q-3C • 90 W • 4 000 K • 13 813 lm

Polar candela distribution



Zonal lumen summary

Zone	Lumens	% Fixture
0-30	3 179.8	23
0-40	5 201.0	37.7
0-60	9 286.4	67.2
60-90	3 579.7	25.9
70-100	2 394.6	17.3
90-120	851.0	6.2
0-90	12 866.1	93.1
90-180	946.4	6.9
0-180	13 812.5	100

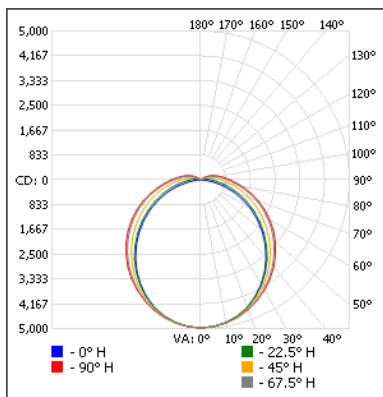
Illuminance at a distance

Center beam fc		Beam width	
1.7'	1 426	4.5'	6.7'
3.3'	379	8.7'	13.0'
5.0'	165	13.2'	19.8'
6.7'	91.8	17.7'	26.5'
8.3'	59.8	21.9'	32.8'
10.0'	41.2	26.3'	39.5'

■ Vert. spread: 105.6°
■ Horiz. spread: 126.3°

69569 • VTL8-PS110B-Q-3C • 110 W • 4 000 K • 15 730 lm

Polar candela distribution



Zonal lumen summary

Zone	Lumens	% Fixture
0-30	3 836.4	23
0-40	6 275.0	37.7
0-60	11 204.1	67.2
60-90	4 318.9	25.9
70-100	2 889.1	17.3
90-120	1 026.8	6.2
0-90	15 523.0	93.1
90-180	1 141.8	6.9
0-180	16 664.9	100

Illuminance at a distance

Center beam fc		Beam width	
1.7'	1 721	4.5'	6.7'
3.3'	457	8.7'	13.0'
5.0'	199	13.2'	19.8'
6.7'	111	17.7'	26.5'
8.3'	72.2	21.9'	32.8'
10.0'	49.7	26.3'	39.5'

■ Vert. spread: 105.6°
■ Horiz. spread: 126.3°

¹ Complete IES files available on our website.

Data is based upon tests performed in a controlled environment. Actual performance can vary depending on operating conditions. All products are subject to change or may be discontinued any time without notice. Please contact your Stanpro customer service representative to confirm inventory levels at time of order.