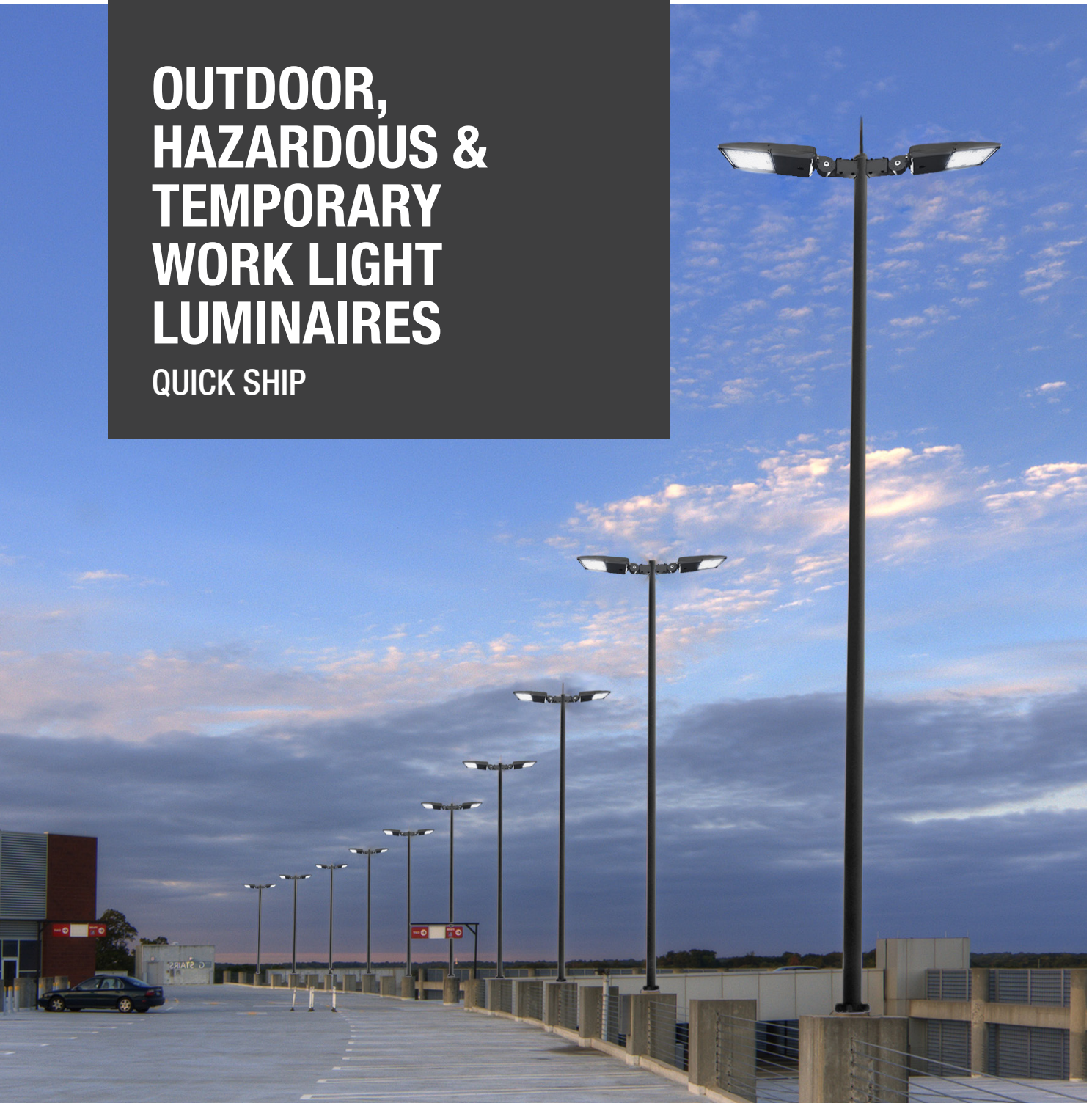




OUTDOOR, HAZARDOUS & TEMPORARY WORK LIGHT LUMINAIRES

QUICK SHIP



STANPRO

4 OUTDOOR LIGHTING

Wall Pack, Flood Luminaire, Flood and Area Light, Yard Light, Lamp post, Bollard, Under canopy and garage, Security Light

20 TEMPORARY WORK LIGHT

Temporary High Bay, Portable Flood Light, AC Flood Light, Accessories



Outdoor Lighting

Stanpro offers a wide range of LED outdoor luminaires that are perfect for a large variety of applications which create a visual impact for your building. Whether you need to light up a pathway, entryway, parking area or enhance architectural features, you are sure to find the perfect lighting solution for your needs!

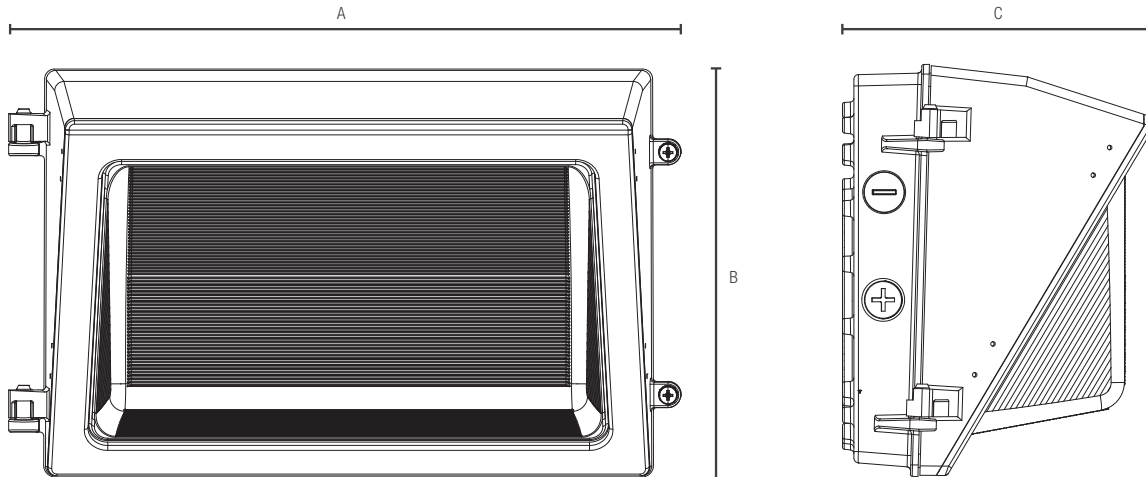
Wall Pack

Stanpro's wide variety of Wall Pack luminaires is perfect for many applications such as offices buildings, entryways, schools or parking areas. They are offered in different housing colors and wattages to create a seamless look with your environment. Certain Wall Packs come with integrated photocell, selectable power and/or selectable color temperature.



WPS GEN. 5

Order code	Model number	Watts (W)	Volts (VAC)	Color temp. (K)	Lumen output (lm)	Efficiency (lm/W)	CRI	Life L70 (hrs)	Tested hours LM-80 (hrs)	Calculated TM21 (hrs)	BUG	LED current (mA)	Finish	Photocell (Yes/No)	Dimming (Yes/No)	Power factor	THD (%)	Traditional equivalent (W)	Master case qty
CCT and Power Selectable with Integrated Photocell																			
69909	WPS-PS40B-Q-3C-BR	25/30/40	120-347	3 000/4 000/5 000	4 010/4 646/5 981	148-160	80+	50 000	9 000	>54 000	B1U3G3	550	Bronze	Yes	Yes	≥0.90	≤20	150-175	1
69910	WPS-PS100B-Q-3C-BR	60/80/100	120-347	3 000/4 000/5 000	8 819/12 053/14 554	153-156	80+	50 000	17 000	44 000	B3U4G5	410	Bronze	Yes	Yes	≥0.90	≤20	250-400	1
69911	WPS-NS120B-Q-3C-BR	120	120-347	3 000/4 000/5 000	17 430	154	80+	50 000	17 000	43 000	B3U5G5	490	Bronze	Yes	Yes	≥0.90	≤20	400-750	1
69912	WPS-PS40B-Q-3C-BK	25/30/40	120-347	3 000/4 000/5 000	4 010/4 646/5 981	148-160	80+	50 000	9 000	>54 000	B1U3G3	550	Black	Yes	Yes	≥0.90	≤20	150-175	1
69913	WPS-PS100B-Q-3C-BK	60/80/100	120-347	3 000/4 000/5 000	8 819/12 053/14 554	153-156	80+	50 000	17 000	44 000	B3U4G5	410	Black	Yes	Yes	≥0.90	≤20	250-400	1
69914	WPS-NS120B-Q-3C-BK	120	120-347	3 000/4 000/5 000	17 430	154	80+	50 000	17 000	43 000	B3U5G5	490	Black	Yes	Yes	≥0.90	≤20	400-750	1
70124	WPS-PS40B-Q-3C-WH	25/30/40	120-347	3 000/4 000/5 000	4 010/4 646/5 981	148-160	80+	50 000	9 000	54 000	B1U3G3	550	White	Yes	Yes	≥0.90	≤20	150-175	1
70125	WPS-PS100B-Q-3C-WH	60/80/100	120-347	3 000/4 000/5 000	8 819/12 053/14 554	153-156	80+	50 000	17 000	44 000	B3U4G5	410	White	Yes	Yes	≥0.90	≤20	250-400	1



A in. (mm)	14.2" (360)
B in. (mm)	8.6" (218)
C in. (mm)	6.5" (164.5)
Net weight (lbs)	7.49

Lumen values are derived from photometric testing.
¹ Only some configurations of WPS GEN 4.





WFC

Order code	Model number	Watts	Volts	Color temp.	Lumen output (lm)	Efficiency (lm/W)	CRI	Life L70 (hrs)	Distrib. type	Finish	Dimming	Power factor	THD (%)	Traditional equivalent (W)		Case qty (master)
		(W)	(V)	(K)										HM	SHP	
WFC																
68607	WFC-PS60A3-Q-3C-BR-P	25/40/60	120-347	3 000/4 000/5 000	3 625/5 640/8 220 ¹	122-137	80	50 000	III	Bronze	Yes	≥0.9	≤20	175-400	175-250	1
68608	WFC-PS100A3-Q-3C-BR-P	80/100	120-347	3 000/4 000/5 000	11 520/14 000 ¹	123-140	80	50 000	III	Bronze	Yes	≥0.9	≤20	400-1 000	250-400	1
70135	WFC-PS60A3-Q22KBRP	25/40/60	120-347	2 200	3 571-7 753	129-142	80+	50 000	III	Bronze	Yes	≥0.9	≤20	100-250	100-175	1
70136	WFC-PS100A3-Q22KBRP	80/100	120-347	2 200	10 645-13 056	131-133	80+	50 000	III	Bronze	Yes	≥0.9	≤20	400	100	1



WDP-L

Order code	Model number	Watts	Volts	Color temp.	Lumen output	Efficacy	CRI	Life L70	Tested hours	Distribution	BUG	LED Current	Finish	Photocell	Dimming	Power factor	THD	Traditional equivalent	Master case
		(W)	(VAC)	(K) ¹	(lm) ²	(lm/W)	(hrs) ³	LM-80 (hrs) ³	Type		(mA)	(Yes/No) ⁴	(Yes/No)	(%)	(W)	qty			
WDP-L																			
CCT Selectable with Integrated Photocell																			
69726	WDP-LS1-W-3C-BR	15	120-277	3 000/4 000/5 000	1 884	132	80+	163 000	9 000	III	B0 U2 G1 0,21-0,057	Bronze	Yes	Yes	0.931	7.4	70	17	
69727	WDP-LS1-W-3C-BK	15	120-277	3 000/4 000/5 000	1 884	132	80+	163 000	9 000	III	B0 U2 G1 0,21-0,057	Black	Yes	Yes	0.931	7.4	70	17	
69728	WDP-LS1-W-3C-WH	15	120-277	3 000/4 000/5 000	1 884	132	80+	163 000	9 000	III	B0 U2 G1 0,21-0,057	White	Yes	Yes	0.931	7.4	70	17	





WPA-L GEN. 2

Order code	Model number	Watts	Volts	Color temp.	Lumen output	Efficiency	Photocell	CRI	Distribution type	Finish	Dimming	B.U.G.	Traditional equivalent (W)		Case qty (master)
		(W)	(V)	(K)	(lm)	(lm/W)	(Yes/No)						HM	SHP	
WPA-L GEN 2															
68722	WPA-LS1B-W-3C-BR-P	20	120-277	3 000/4 000/5 000	2 261	113	Yes	73	III	Bronze	Yes	B1 U3 G1	70 - 100	70	6



WCI-L GEN. 2

Order code	Model number	Watts	Volts	Color temp.	Lumen output	Efficiency	Life L70	Tested hours	Calculated	CRI	Finish	Dimming	B.U.G.	Power factor	THD	Case qty (master)
		(W)	(V)	(K)	(lm)	(lm/W)	(hrs)	LM-80 (hrs)	TM21 (hrs)					(%)	(%)	
WCI-L GEN 2																
68988	WCI-LS2B-W-3C-BR-P	20	120-277	3 000/4 000/5 000	2 560	135	54 000	9 000	140 000	80+	Bronze	Yes	B1 U3 G2	> 0.90	≤20	10
68989	WCI-LS2B-W-3C-WH-P	20	120-277	3 000/4 000/5 000	2 560	135	54 000	9 000	140 000	80+	White	Yes	B1 U3 G2	> 0.90	≤20	10

Dimensions	WPA-L	WCI-L
Length	6 7/8" (174.2 mm)	5 13/16" (147.64 mm)
Width	10 15/16" (278.5 mm)	8 9/16" (217.93 mm)
Depth	5 3/16" (132.1 mm)	3 1/16" (77.98 mm)





WTL

Order code	Model number	Watts (W)	Volts (V)	Color temp. (K)	Lumen output (lm) ¹	Efficiency (lm/W)	CRI	Life L70 (hrs)	Beam angle (°)	Finish	Dimming (Yes/No)	Power factor	THD (%)	Traditional equivalent (W)		Case qty (master)
														MH	HPS	
WTL																
68768	WTL-PS30A-Q-3C-BR-P	15/30	120-347	3 000/4 000/5 000	2 100-3 925	137-140	70+	50 000	90 x 110	Bronze	Yes	≥0.90	≤20	70 - 150	70 - 100	8
68769	WTL-PS80A-Q-3C-BR-P	50/80	120-347	3 000/4 000/5 000	7 000-10 392	139-140	70+	50 000	90 x 110	Bronze	Yes	≥0.90	≤20	175 - 400	150 - 250	4



WCY

Order code	Model number	Watts (W)	Volts (VAC)	Color temp. (K)	Lumen output (lm)	Efficacy (lm/W)	CRI	Life L70 (hrs)	Beam angle (°)	Finish	Photocell (Yes/No)	Dimming (Yes/No)	Power factor	THD (%)	Traditional equivalent (W)		Master case qty
															MH	HPS	

WCY

CCT Selectable with Integrated Photocell

4"																	
69150	WCY-4LS1-Q-3C-BK-P	20	120-347	3 000/4 000/5 000	2 445	122	80+	50 000	20	Black	Yes	Yes	≥0.90	≤20	70	70	5
69432	WCY-4LS1-Q-3C-BR-P	20	120-347	3 000/4 000/5 000	2 445	122	80+	50 000	20	Bronze	Yes	Yes	≥0.90	≤20	70	70	5
6"																	
69151	WCY-6LS2-Q-3C-BK-P	36	120-347	3 000/4 000/5 000	4 254	118	80+	50 000	20	Black	Yes	Yes	≥0.90	≤20	150	100-150	4
69433	WCY-6LS2-Q-3C-BR-P	36	120-347	3 000/4 000/5 000	4 254	118	80+	50 000	20	Bronze	Yes	Yes	≥0.90	≤20	150	100-150	4





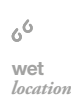
WJM GEN. 2

Order code	Model number	DLC unique ID	Watts (W)	Volts (VAC)	Color temp. (K) ²	Lumen output (lm) ³	Efficiency (lm/W)	CRI	Life L70 (hrs) ⁴	Tested hours LM-80 (hrs) ⁴	Calc. TM21 (hrs) ⁴	LED current (mA)	Finish	Photo-cell (Yes/No)	Dimming (Yes/No)	Power factor (%)	THD (%)	Traditional equivalent (W)	Master case qty
------------	--------------	---------------	-----------	-------------	------------------------------	--------------------------------	-------------------	-----	-----------------------------	---------------------------------------	-------------------------------	------------------	--------	---------------------	------------------	------------------	---------	----------------------------	-----------------

WJM GEN2

CCT and Power Selectable

69561	WJM-PS20A-Q-3C-GY	S-RETSMD	10/21	120-347	3 000/4 000/5 000	2 562	128	80+	50 000	9 000	160 000	0.18	Grey	No	Yes	>0.90	≤20	150	40	6
-------	-------------------	----------	-------	---------	-------------------	-------	-----	-----	--------	-------	---------	------	------	----	-----	-------	-----	-----	----	---



WSL

Order code	Model number	Watts (W)	Volts (VAC)	Color temp. (K)	Lumen output (lm)	Efficiency (lm/W)	CRI	Life L70 (hrs)	BUG	Finish	Photocell (Yes/No)	Dimming (Yes/No)	Power factor (%)	THD (%)	Master case qty
69721	WSL-PS60-Q-3C-BK/CHOICE	30/40/60	120-347	30/40/50K	4 200/5 600/8 400	140	80+	50 000	133	Black	Yes	Yes	0.99	20	1
69722	WSL-PS80-Q-3C-BK/CHOICE	40/60/80	120-347	30/40/50K	5 600/8 400/11 200	140	80+	50 000	134	Black	Yes	Yes	0.91	20	1
69723	WSL-PS60-Q-3C-BR/CHOICE	30/40/60	120-347	30/40/50K	4 200/5 600/8 400	140	80+	50 000	133	Bronze	Yes	Yes	0.99	20	1
69724	WSL-PS80-Q-3C-BR/CHOICE	40/60/80	120-347	30/40/50K	5 600/8 400/11 200	140	80+	50 000	134	Bronze	Yes	Yes	0.91	20	1





Flood Luminaire

Flood luminaires are perfect for various applications such as wall washing, lighting pathways, landscape or signage lighting. They are offered in multiple wattages to fit both residential and commercial uses, and have a wide flood distribution for a large and uniform light pattern.



INCLUDED IN THE BOX



Wall mount plate



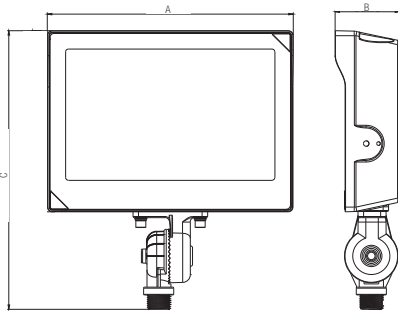
Yoke mount

Order code	Model number	Watts (W)	Volts (VAC)	Color temp. (K)	Lumen output (lm)	Efficiency (lm/W)	CRI	Life L70 (hrs)	Tested hours LM-80 (hrs)	Calculated TM21 (hrs)	NEMA type	B.U.G.	EPA (ft ²)	LED Current	Finish	Photocell (Yes/No)	Power factor (%)	THD (%)	Master case qty
------------	--------------	--------------	----------------	--------------------	----------------------	----------------------	-----	-------------------	-----------------------------	--------------------------	-----------	--------	---------------------------	-------------	--------	-----------------------	---------------------	------------	-----------------

CCT and Power Selectable with Integrated Photocell

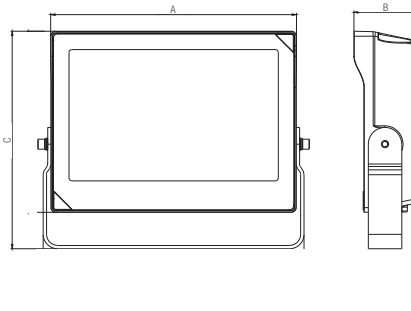
69925	FLM-PS25B-Q-3C-BK/CHOICE	15/25	120-347	3 000/4 000/5 000	3 396	136	80+	50 000	9 000	140 000	7Hx6V	B1 U0 G1	0.18	0.25	Black	NO	≥0.87	≤25	10
69926	FLM-PS60B-Q-3C-BK/CHOICE	35/60	120-347	3 000/4 000/5 000	8 453	141	80+	50 000	9 000	140 000	7Hx6V	B3 U0 G1	0.42	0.6	Black	YES	≥0.87	≤25	10
69927	FLM-PS100B-Q-3C-BK/CHOICE	60/80/100	120-347	3 000/4 000/5 000	15 806	158	80+	50 000	9 000	140 000	7Hx6V	B3 U0 G1	0.6	1	Black	YES	≥0.87	≤25	5
69928	FLM-PS150B-Q-3C-BK/CHOICE	100/120/150	120-347	3 000/4 000/5 000	23 258	155	80+	50 000	9 000	140 000	7Hx6V	B3 U0 G1	0.6	1.5	Black	YES	≥0.87	≤25	5

Knuckle Mount



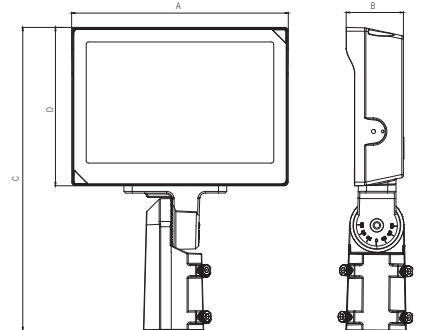
	25 W	60 W
A in. (cm)	5.82 (14.8)	8.7 (22.1)
B in. (cm)	2 (5.1)	2.28 (5.8)
C in. (cm)	7.67 (19.5)	9.84 (25)
Net weight (lbs)	2.42	3.43

Yoke Mount



	25 W	60 W	100 W	150 W
A in. (cm)	6.18 (15.7)	9.21 (23.4)	10.35 (26.75)	11.5 (29.15)
B in. (cm)	2 (5.1)	2.28 (5.8)	2.8 (7.1)	2.88 (7.33)
C in. (cm)	5.27 (13.4)	7.67 (19.5)	7.5 (19.15)	8.38 (21.15)
Net weight (lbs)	2.11	3.77	8.8	10.58

Slipfitter



	100 W	150 W
A in. (cm)	10.3 (26.7)	10.3 (26.7)
B in. (cm)	2.8 (7.1)	2.8 (7.1)
C in. (cm)	14.6 (37.1)	14.6 (37.1)
D in. (cm)	7.72 (19.6)	7.72 (19.6)



Lumen values are derived from photometric testing.

FLL Series

These high power flood lights are designed to ease the installation with the slide-on feature and to facilitate the interchangeability of the optic to suits different applications. The color temperature and the power can be changed on site with the help of switches located on the underside of the fixture. For energy savings and enhanced safety, this product

series comes with a 7 pin photocell receptacle for the ability to add a dusk till dawn photocell and includes a sensor adapter compatible with both smart and non-smart sensors. The FLL series is great for general lighting of grounds, storage yards, car dealerships, parking areas as well as flood lighting of signs and building facades.



150 W



300 W



450 W



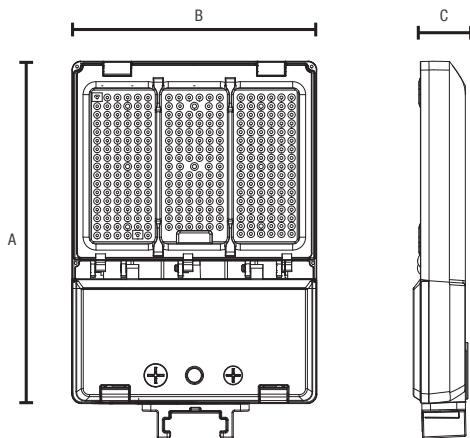
150 W



300 W



450 W



Dimensions	150 W	300 W	450 W
A	17.20" (43.7 cm)	21.26" (54 cm)	27.28" (69.3 cm)
B	11.18" (28.4 cm)	13.98" (35.5 cm)	13.98" (35.5 cm)
C	2.52" (6.4 cm)	2.52" (6.4 cm)	2.52" (6.4 cm)

Order code	Model number	DLC unique ID	Watts (W)	Volts (VAC)	Color temp. (K)	Lumen output (lm) ^{2,3}	Efficacy (lm/W)	CRI	Life L70 (hrs) ⁴	Tested hours LM-80 (hrs) ⁴	Calculated TM21 (hrs) ⁴	NEMA type ⁵	B.U.G.	LED current (mA)	Finish	Power factor	THD (%)	Traditional equivalent (W)		Master case qty
																		MH	HPS	
CCT and Power Selectable																				
69796	FLLS-PS150W-Q3CBR	S-FCOPYC	60/100/150	120-347	3 000/4 000/5 000	22 137	148	80+	100 000	10 000	>60 000	7H x 7V	B4-U0-G1	54.5	Bronze	≥0.9	≤20%	400-1 000	400	1
69797	FLLM-PS300W-Q3CBR	S-D2WTVR	160/200/240/300	120-347	3 000/4 000/5 000	43 965	147	80+	100 000	10 000	>60 000	7H x 7V	B5-U0-G2	54.5	Bronze	≥0.9	≤20%	400-1 000	1 000	1
69798	FLLL-PS450W-Q3CBR	S-ZOX81R	350/400/450	120-347	3 000/4 000/5 000	62 645	139	80+	100 000	10 000	>60 000	7H x 7V	B5-U0-G2	54.5	Bronze	≥0.9	≤20%	1 000	1 000	1
69799	FLLS-PS150W-Q3CBK	S-FCOPYC	60/100/150	120-347	3 000/4 000/5 000	22 137	148	80+	100 000	10 000	>60 000	7H x 7V	B4-U0-G1	54.5	Black	≥0.9	≤20%	400-1 000	400	1
69800	FLLM-PS300W-Q3CBK	S-D2WTVR	160/200/240/300	120-347	3 000/4 000/5 000	43 965	147	80+	100 000	10 000	>60 000	7H x 7V	B5-U0-G2	54.5	Black	≥0.9	≤20%	400-1 000	1 000	1
69801	FLLL-PS450W-Q3CBK	S-ZOX81R	350/400/450	120-347	3 000/4 000/5 000	62 645	139	80+	100 000	10 000	>60 000	7H x 7V	B5-U0-G2	54.5	Black	≥0.9	≤20%	1 000	1 000	1
Single CCT and Power Selectable																				
69802	FLLS-PS150W-Q22KBR	N/A	60/100/150	120-347	2 200	17 702	123	80+	100,000	10,000	>60 000	7H x 7V	B4-U0-G1	54.5	Bronze	≥0.9	≤20%	400-1 000	250-400	1
69803	FLLM-PS300W-Q22KBR	N/A	160/200/240/300	120-347	2 200	36 372	122	80+	100,000	10,000	>60 000	7H x 7V	B5-U0-G2	54.5	Bronze	≥0.9	≤20%	400-1 000	400-1 000	1

¹ Typical color temperature range: +/- 5 %.

² Lumen values are derived from photometric testing. Initial lumens range: +/- 10 %.

³ Lumen values are based on 4 000 K default programming for CCT selectable models. Please refer to the LUMEN SPECIFICATION TABLE for more details on other color temperatures.

⁴ Life hours are derived from IESNA LM-80 testing report and projected per IESNA TM-21 extrapolations.

⁵ Type II, III, IV and V distributions available. Refer to accessory table.

ACCESSORIES (order separately)

Order code	Type	Finish	Compatible with
69823	Glareshield for 150 W models	Bronze	69796, 69802
69824	Glareshield for 300 W models	Bronze	69797, 69803
69825	Glareshield for 450 W models	Bronze	69798
69805	Yoke mount for 150 W models	Bronze	69796, 69802
69806	Yoke mount for 300 W models	Bronze	69797, 69803
69807	Yoke mount for 450 W models	Bronze	69798
69808	Trunnion	Bronze	69796, 69797, 69798, 69802, 69803
69809	Slipfitter for 150 W and 300 W models	Bronze	69796, 69797, 69802, 69803
69810	Slipfitter for 450 W models	Bronze	69798
69811	Straight arm for square/round pole	Bronze	69796, 69797, 69798, 69802, 69803
69812	Slipfitter with wall/pole mount adapter for 150 W and 300 W models	Bronze	69796, 69797, 69802, 69803
69813	Slipfitter with wall/pole mount adapter for 450 W models	Bronze	69798
69826	Glareshield for 150 W models	Black	69799
69827	Glareshield for 300 W models	Black	69800
69828	Glareshield for 450 W models	Black	69801
69814	Yoke mount for 150 W models	Black	69799
69815	Yoke mount for 300 W models	Black	69800
69816	Yoke mount for 450 W models	Black	69801
69817	Trunnion	Black	69799, 69800, 69801
69818	Slipfitter for 150W and 300 W models	Black	69799, 69800
69819	Slipfitter for 450 W models	Black	69801
69820	Straight arm for square/round pole	Black	69799, 69800, 69801
69821	Slipfitter with wall/pole mount adapter for 150 W and 300 W models	Black	69799, 69800
69822	Slipfitter with wall/pole mount adapter for 450 W models	Black	69801
69829	Type II distribution lens for 150 W models	N/A	69796, 69799
69830	Type III distribution lens for 150 W models	N/A	69796, 69799
69831	Type IV distribution lens for 150 W models	N/A	69796, 69799
69832	Type V distribution lens for 150 W models	N/A	69796, 69799
69833	Type II distribution lens for 300 W models	N/A	69797, 69800
69834	Type III distribution lens for 300 W models	N/A	69797, 69800
69835	Type IV distribution lens for 300 W models	N/A	69797, 69800
69836	Type V distribution lens for 300 W models	N/A	69797, 69800
69837	Type II distribution lens for 450 W models	N/A	69798, 69801
69838	Type III distribution lens for 450 W models	N/A	69798, 69801
69839	Type IV distribution lens for 450 W models	N/A	69798, 69801
69840	Type V distribution lens for 450 W models	N/A	69798, 69801
69640 ¹	External PIR sensor kit OSI-EFS07-AUX	N/A	All configurations
69444 ¹	External High Frequency sensor kit EFS06R	N/A	All configurations
69651	Bluetooth Mesh PIR sensor OSI-PIR106	N/A	All configurations

¹ To change factory setting, purchase remote 69080 (sold separately)



For a complete list of DLC qualified products, please visit www.standardpro.com.

OLYMPUS OLP Series

The Olympus LED sports light is an efficient luminaire which performs well under any condition due to its high quality heat sinks and its anti-corrosion finish. This luminaire was built with a gasket designed to protect the electrical components against liquid and solid ingress. The Olympus is a great solution for any recreational outdoor sports field.



Order code	Model number	Watts	Volts	Color temp.	Lumen output	Efficacy	CRI	Life L70	Tested hours LM-80	NEMA type	BUG	EPA	LED current	Finish	Photocell	Traditional equivalent	Master case qty
		(W)	(VAC)	(K) ¹	(lm) ²	(lm/W)	(hrs) ³	(hrs) ³	(ft ²) ⁴	(mA)	(Yes/No)	(W)	MH	HPS			
69765	OLPPS6003Q40KBKYK	400/500/600	120-347	4 000	56 563/67 043/80 747	135	70+	150 000	10 000	3x3	B5-U0-G1	1.6	126-190	Black	No	1 000 1 000	1
69771	OLPPS10003440KBKYK	600/800/1 000	200-480	4 000	89 164/114 155/131 678	132	70+	150 000	10 000	3x3	B5-U0-G2	3.3	146-155	Black	No	1 000 1 000	1
69773	OLPPS6005Q40KBKYK	400/500/600	120-347	4 000	60 850/72 289/86 754	145	70+	150 000	10 000	5x5	B5-U0-G1	1.6	126-190	Black	No	1 000 1 000	1
69774	OLPPS10005440KBKYK	600/800/1 000	200-480	4 000	87 862/113 419/130 170	130	70+	150 000	10 000	5x5	B5-U0-G2	3.3	140-149	Black	No	1 000 1 000	1

¹ Typical color temperature range: +/- 5 %.

² Lumen values are derived from photometric testing. Initial lumens range: +/- 10 %.

³ Life hours are derived from IESNA LM-80-08 testing report and projected per IESNA TM-21-11 extrapolations.

⁴ Sports light positioned at a 0° tilt.

ACCESSORIES (order separately)

Order code	Type
69766	Visor 600W
69770	Visor 1 000W
69768	Laser Pointer ²
69767	Slipfitter 600W-1000W ¹



Visor



Laser Pointer



Slipfitter

¹ EPA value: 2.17ft² for 600W models and 3.85ft² for 1 000W models with a 0° tilt

² Laser pointer includes one rechargeable battery and battery recharger



For a complete list of DLC qualified products, please visit www.standardpro.com.



Yard Light

The YLD is an energy efficient dusk to dawn yard light. It is a versatile and economic LED light source and it was designed for barns and farms. The YLD comes standard with a twistlock photocell and features latest in LED technology allowing the user to control the color temperature and power by using the internal field adjustable integrated switches.

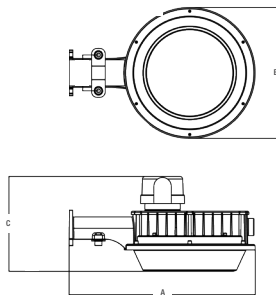


Order Model code number	DLC Unique ID	Watts (W)	Volts (VAC)	Color temp. (K)	Lumen output (lm)	Efficacy (lm/W)	CRI	Life L70 (hrs)	Beam angle (°)	Distribution type	BUG	Finish	Photocell	Dimming	Power factor	THD (%)	Traditional equivalent (W) MH HPS	Master case qty
-------------------------	---------------	-----------	-------------	-----------------	-------------------	-----------------	-----	----------------	----------------	-------------------	-----	--------	-----------	---------	--------------	---------	-----------------------------------	-----------------

CCT and Power Selectable Including a Twistlock Photocell

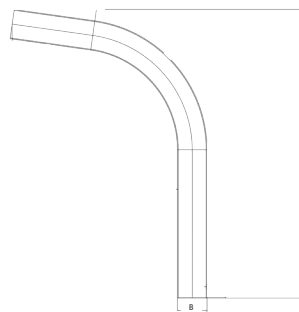
69175	YLD-PS120A-W-3C-PT	S-YOVADZ	72/96/120	120-277	3 000/4 000/5 000	10 698/ 13 334/15 680	140 - 150	80+	50 000	133	Type V	B3 U3 G3	Grey	Yes	No	0.99	0.0893	175-400 150-400	4
-------	--------------------	----------	-----------	---------	-------------------	-----------------------	-----------	-----	--------	-----	--------	----------	------	-----	----	------	--------	-----------------	---

69175



A in. (cm)	13.48 (34.25)
B in. (cm)	9.48 (24.10)
C in. (cm)	6.87 (17.47)
Net weight (lbs)	4.79

69176



A in. (cm)	15.35 (39)
B in. (cm)	1.57 (4)
Net weight (lbs)	1.87

ACCESSORIES (order separately)

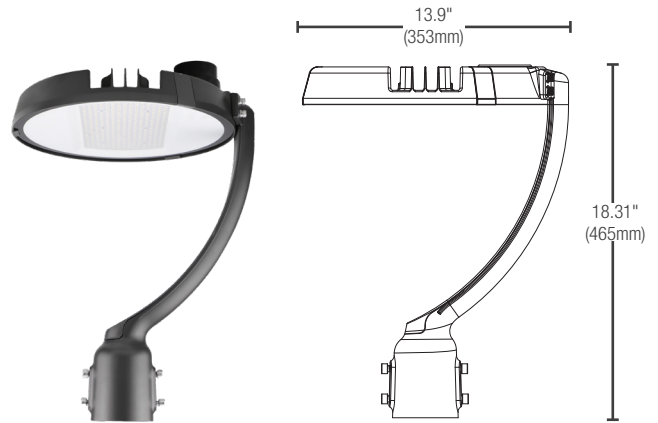
Order code	Type
69176	15" ARM MOUNT KIT
PH0009	Shorting cap

Lumen values are derived from photometric testing.



Post Top

The PTR round LED post top luminaire offers a contemporary and elegant look making it a great addition to applications where energy efficiency, performance and design are essentials. In 3 easy steps, the mounting arm can be interchanged with either a slipfitter or a square/round pole arm, fulfilling the need of a variety of projects. Typical applications include urban streets, walkways, parks, shopping malls, residential areas, and campuses.



Order code	Model number	Watts (W)	Volts (VAC)	Color temp. (K)	Lumen output (lm)	Efficacy (lm/W)	CRI	Life L70 (hrs)	Distribution type	B.U.G.	EPA (ft²)	Finish	Dimming (Yes/No)	PF	THD (%)	Master case qty
69662	PTRPS755Q3CBKPR7	50/60/75	120-347	30/40/50K	6 750/8 100/ 10 125	135	80+	50 000	Type V	B3-U0-G3	1.48	Black	Yes	0.90	20	1
69663	PTRPS1505Q2CBKPR7	100/120/150	120-347	40/50K	13 500/16 200/20 200	135	80+	50 000	Type V	B3-U0-G3	1.48	Black	Yes	0.90	20	1



Bollard

LED outdoor bollards are perfect for lighting pathways and entryways. They will fit seamlessly into the landscape and add a decorative touch to your building. They will also provide adequate lighting for increased safety on your property.

Offered in two diffuser styles: Louver replicates the traditional look and cone allows for a larger lumen output.



Order code	Description	Watts (W)	Volts (V)	Color temp. (K)	CRI	Life L70 (hrs)	Lumen output (lm)	Finish	Distrib. type	Traditional equivalent (W) MH	Case qty (master)
Louver											
65530	LBOL8/LOUV/25W/40K/120-277/RND/BRZ/STD	25	120-277	4 000	70	50 000	1 325	Bronze	V	50/70	1
Cone											
65531	LBOL8/CONE/25W/40K/120-277/RND/BRZ/STD	25	120-277	4 000	70	50 000	1 925	Bronze	V	50/70	1

Lumen values are derived from photometric testing. For a complete list of DLC qualified products, please visit www.standardpro.com.



Security Light

Our DSL-L GEN.2 series features a built-in dusk to dawn photocell which allows to turn on the lights at dusk and turn off the light at dawn. For added safety, this generation includes the option of having the luminaire ON at all times with the motion sensor. These features assures the area is

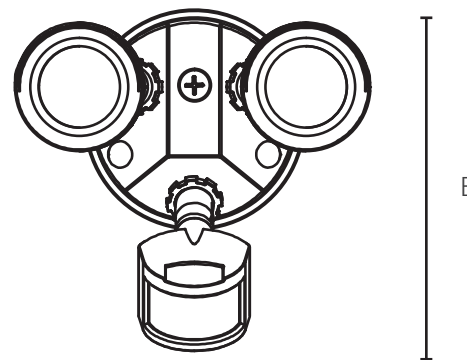
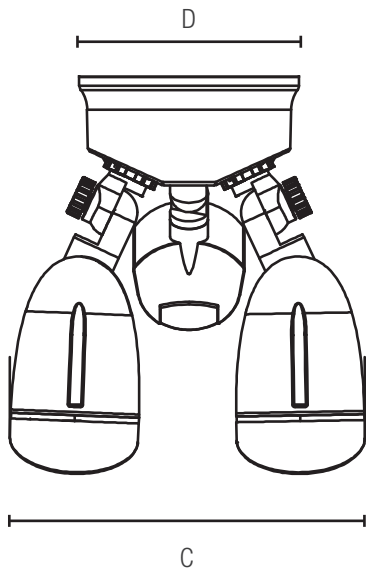
well lit and provides added security at night. Offering superior performance while improving on energy savings, this fixture is ideal for walkways, yards, driveways, patios, parking lots and loading docks.



Order code	Model number	Watts Volts		Color temp. (K) ¹	Lumen output (lm) ^{2,3}	Efficacy (lm/W)	CRI	Life L70 (hrs) ⁴	Tested hours LM-80 (hrs) ⁴	Calculated TM21 (hrs) ⁴	Beam angle (°)	BUG	LED current (mA)	Finish	Dimming	Power factor	THD (%)	Traditional equivalent (W)		Master case qty
		(W)	(VAC)															MH	HPS	

CCT Selectable

69652	DSL-LS1B-A-3C-BR	20	120	3 000/4 000/5 000	1 974	86 - 99	80+	>100 000	10 000	>60 000	50	B2-U1-G0	0.18	Bronze	No	>0.9	<20	2x100	2x60-75	5
68653	DSL-LS1B-A-3C-WH	20	120	3 000/4 000/5 000	1 974	86 - 99	80+	>100 000	10 000	>60 000	50	B2-U1-G0	0.18	White	No	>0.9	<20	2x100	2x60-75	5



A in. (cm)	9.5 (24.15)
B in. (cm)	6 (15.24)
C in. (cm)	8.5 (21.55)
D in. (cm)	5.26 (13.35)
Net weight (lbs)	3.0

Lumen values are derived from photometric testing.



Security Light

Our CSL series features a motion sensor with a built-in dusk to dawn photocell which allows to turn on the lights at dusk and turn off the light at dawn. These features assures the area is well lit and provides added security at night. Offering

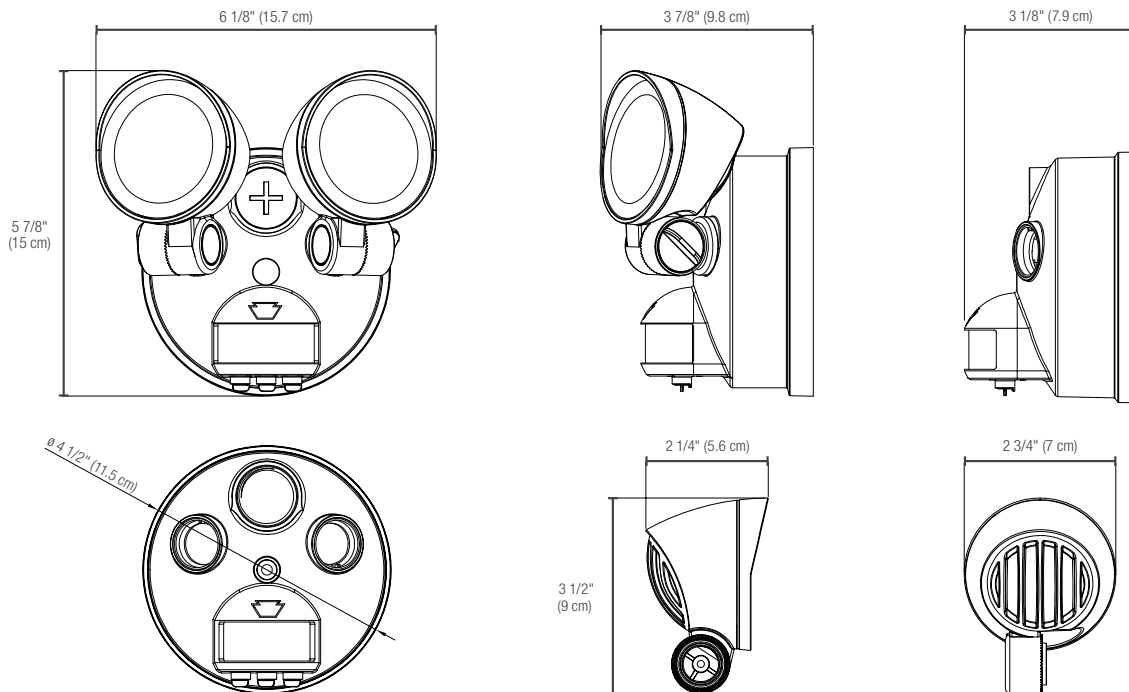
superior performance while improving on energy savings, this fixture is ideal for walkways, yards, driveways, patios, parking lots and loading docks.



Order code	Model number	Watts (W)	Volts (V AC)	Color temp. (K)	Lumen output (lm)	Efficacy (lm/W)	CRI	Life L70 (hrs)	Beam angle (°)	Finish	Photocell (Yes/No)	Dimming (Yes/No)	Power factor	THD (%)	MH	HPS	Master case qty
------------	--------------	-----------	--------------	-----------------	-------------------	-----------------	-----	----------------	----------------	--------	--------------------	------------------	--------------	---------	----	-----	-----------------

CCT and Power Selectable with Integrated Photocell

70172	CSL-PS24A-A-3C-BK/CHOICE	16/20/24	120	3 000/4 000/5 000	1 852-2 498	104-116	80+	50 000	110	Black	Yes	No	≥0.90	≤20	2x100	2x75	4
70277	CSL-PS24A-A-3C-WH/CHOICE	16/20/24	120	3 000/4 000/5 000	1 852-2 498	104-116	80+	50 000	110	White	Yes	No	≥0.90	≤20	2x100	2x75	4





Temporary Work Light

Stanpro's Work Lights are ideal for projects where portable and temporary lighting is required, especially to provide a safe working environment when handling repairs, general maintenance or new construction. Find the perfect solution to illuminate your work area, whether it's for a wide area or to perform a specific task in a precise location. Stanpro's temporary lighting products are made of robust material that are perfect for a rugged construction site where traditional lighting products would break easily.



Temporary LED High Bay (Gen. 2)

Our Temporary LED High Bay work lights are the ideal substitute for traditional HID lamps and luminaires. Designed for tough environments, they provide 360° illumination and will ensure that the work area is safe and properly illuminated. Their high efficacy will help reduce the number of luminaires needed. Additionally, the daisy chain feature enables the use of one outlet to power multiple luminaires.



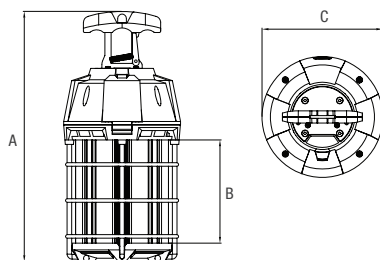
Eyebolt Included for an Alternative Mounting Option



100 W

150 W

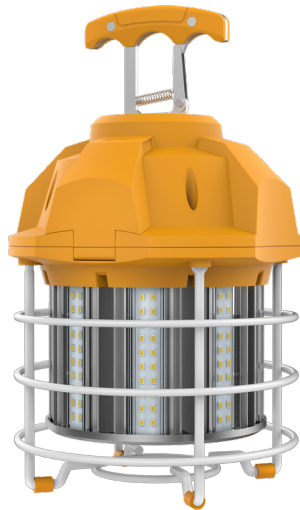
Order code	Model number	Watts (W)	Volts (VAC)	Color temp. (K)	Lumen output (lm)	Efficiency (lm/W)	CRI	Life L70 (hrs)	Beam angle (°)	Power cord length (ft)	Operating position	Case qty (master)
68700	THB-DSC-100W-CW	100	120	Cool White	11 530	115	80+	54 000	360	20	Universal	4
68701	THB-DSC-150W-CW	150	120	Cool White	17 380	116	80+	54 000	360	20	Universal	4



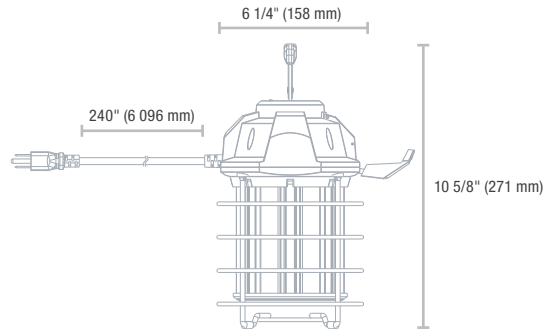
Dimensions	100 W (68700)	150 W (68701)
A	11" (278.3 mm)	12 1/8" (308.3 mm)
B	4 1/2" (114.8 mm)	5 7/8" (149.4 mm)
C	5 1/8" (130 mm)	5 1/8" (130 mm)



Temporary LED High Bay (Gen. 1)



Order code	Model number	Watts (W)	Volts (V)	Color temp.	Wire	CRI	Lumen output (lm)	Beam angle (°)	Life L70 (hrs)	Operating position	Case qty (master)
67902	THB/DSC/60W/CW/ND/OR/STD	60	120	Cool White	18 AWG / 3C	80	6 300	360	54 000	Universal	4



Accessory

Order code	Model number	Type
67947	THB/REMOTECONTROL/STD	Replacement Wireless Remote Control



A wireless remote control is also provided with every temporary LED high bay. Control all your luminaires from only one remote control!



Battery Powered Portable Flood Light

Portable Flood Lights are easy to carry from one location to another as they are battery powered and highly versatile. They offer pre-set intensities to disperse the right amount of light for each task and to ensure more

efficient battery consumption. Their cordless feature keeps the ground free of cables, which creates a safer work environment. This product can be used on jobsites where electricity has yet to be installed.



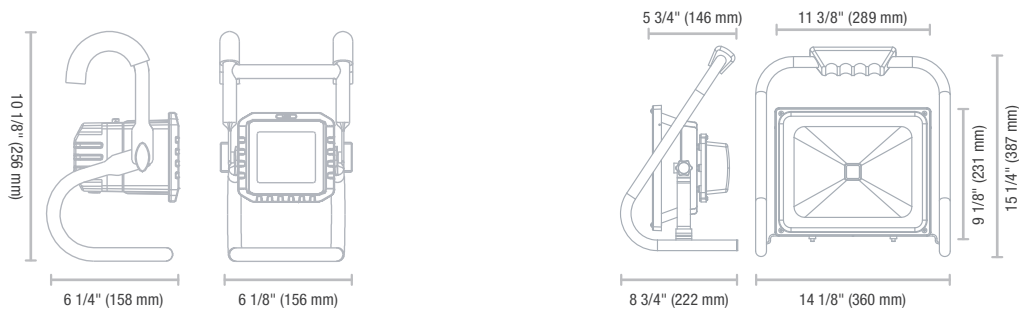
20 W Flood



50 W Flood

Order code	Model number	Watts (W)	Volts (V)	Color Temp.	CRI	Light output (lm)	Beam angle (°)	Lithium-ion Battery		Battery working time (hrs)			Battery charging time (hrs)	Case qty (master)
								(V)	(Ah)	100% Brightness	50% Brightness	20% Brightness		
67021	PFL/BTRY/100-240/20W/CW/YL/STD	20	100-240	Cool White	70	1 100	120	7.4	4.4	3	6	12	5	8
67022	PFL/BTRY/100-240/50W/CW/YL/STD	50	100-240	Cool White	70	3 250	120	18.5	6.6	3	6	12	6	2

LED Battery Powered Flood Light



20 W

50 W

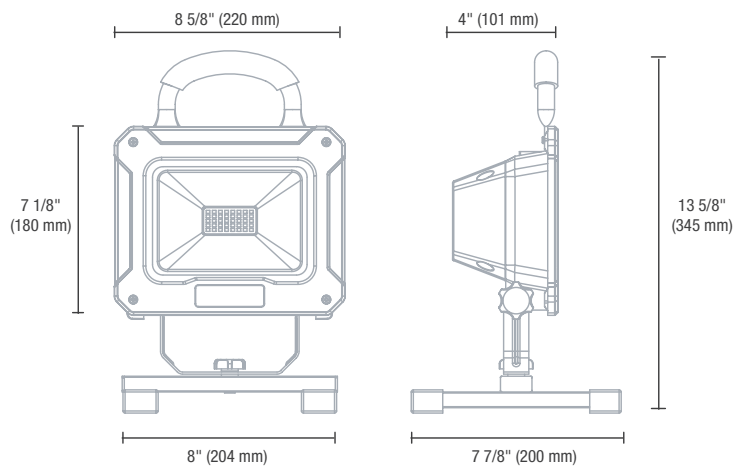
Lumen values are derived from photometric testing

AC Portable Flood Light

Stanpro's AC Flood Light of 30 W is the perfect combination of durability and efficiency. Offering a high light output and designed for wet locations, with an IP rating of 65, this luminaire will suit the most robust construction sites.



Order code	Model number	Watts (W)	Volts (V)	Color temp.	Wire	CRI	Light output (lm)	Beam angle (°)	Life L70 (h)	Case qty (master)
67336	PFL/AC/30W/CW/ND/YL/STD	30	120	Cool White	18 AWG	70	3 200	120	25 000	8





Accessories

Order code	Model number	Watts (W)	Lithium-ion battery			Battery Working Time (hrs)			Battery charging time (hrs)	Compatible with	Case qty (master)
			(V)	(Ah)	100% Brightness	50% Brightness	20% Brightness				
Replacement Battery											
67024 ¹	PFL/REPLBTRY/7.4V/20W/YL/STD	20	7.4	4.4	3	6	12	5	67021	8	



Order code	Model number	Volts (V)	Compatible with	Case qty (master)
Replacement AC/DC Charger				
67026	PFL/CHARGER/20W/STD	100-240	67021	25
67027	PFL/CHARGER/50W/STD	100-240	67022	25



¹Only the 20 W Flood Light (67021) has a battery that can be removed and replaced. The 50 W Flood Light (67022) has an integrated battery.



Printed in Canada.

© 2021 STANDARD Products Inc. All Rights Reserved.

Data is based upon tests performed in a controlled environment.
Actual performance can vary depending on operating conditions.
All products are subject to change or may be discontinued any time without notice.

For the latest version, please refer to our website.

www.standardpro.com



STANPRO



standardpro.com

STANPRO