

Individual Spec Sheet

LPDL™ CHOICE GEN. 2

LED LOW PROFILE DOWNLIGHT

4" CCT Selectable

ORDERING INFORMATION

Order Code: 70016
Model Number: LPDL4R-9A-5CBK/CHOICE
UPC: 069549031654
Case Quantity: 24

PHYSICAL DATA

Size in (cm): 4 3/4 x 13/16 (12 x 2.1)
Shape: Round
Finish: Black
Lens Type: Frosted polycarbonate
Mounting: Recessed
Cable Rating: FT4

PERFORMANCE DATA

Watts (W): 9
Volts (V AC): 120
Color Temperature (K)¹: 2 700/3 000/3 500/4 000/5 000
Lumen Output (lm)²: 800
Efficacy (lm/W): 88.9
CRI: 90+
Life L70 (h)³: 50 000
Beam Angle (°): 110
Environment: Wet location
THD (%): <20
Power Factor: >0.9
Cable Rating: FT4
Frequency (Hz): 60
Operating Temp. Range: -30 °C to 45 °C (-22 °F to 113 °F)
Dimmable: Phase cut (ELV / Triac)

¹ Typical colour temperature range: +/- 5 %.

² Lumen values are derived from Energy Star reported data. Initial lumens range: +/- 10 %.

³ Life hours are derived from IESNA LM-80 testing report and projected per IESNA TM-21 extrapolations.

COMPATIBLE ACCESSORIES

| Order code | Model number | Type |
|--------------------|---------------------------------|---------------------------------|
| 66821 ¹ | ACC/MPLATE/4.25IN/HANG.BARS/STD | Mounting plate with hanger bars |
| 66058 | ACC/MPLATE/4.25/ADJ/STD | Adjustable mounting plate |
| 66051 | ACC/MPLATE/4.25/SQR/STD | Square mounting plate |
| 66143 | ACC/4/VAPOR BARRIER/STD | Vapor barrier extender |
| 68986 | GOOF RING-4.25IN | Goof rings |

¹ Includes brackets and screws.

This lighting equipment complies with Canadian standard ICES-005 for use in residential applications. Data is based upon tests performed in a controlled environment. Actual performance can vary depending on operating conditions. Specifications are subject to change without notice.



LUMEN SPECIFICATION TABLE

| Watts (W) | 2 700 K | | 3 000 K | | 3 500 K | | 4 000 K | | 5 000 K | |
|--------------|-------------------|-----------------|-------------------|-----------------|-------------------|-----------------|-------------------|-----------------|-------------------|-----------------|
| | Lumen output (lm) | Efficacy (lm/W) | Lumen output (lm) | Efficacy (lm/W) | Lumen output (lm) | Efficacy (lm/W) | Lumen output (lm) | Efficacy (lm/W) | Lumen output (lm) | Efficacy (lm/W) |
| 9 | 896 | 100 | 928 | 103 | 961 | 107 | 970 | 108 | 971 | 108 |

DEFAULT PROGRAMMING
2 700 K

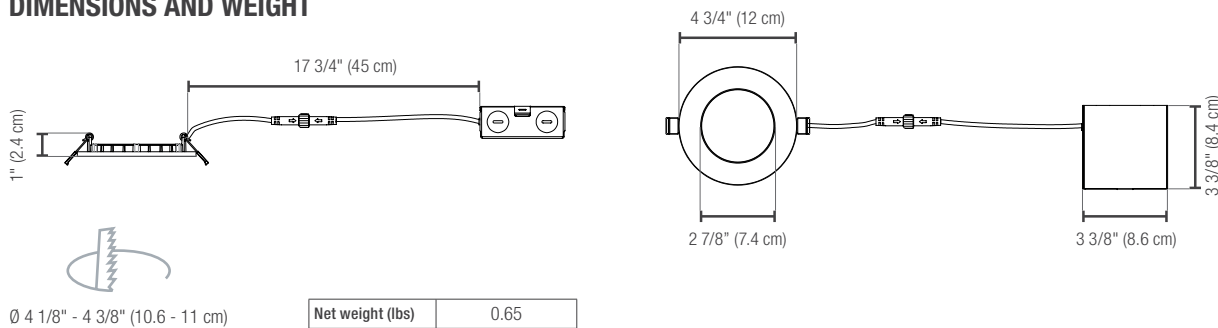
COMPATIBLE DIMMERS¹

| Brand | Model |
|---------|---|
| Legrand | RH730PTUTC |
| Cooper | AAL06, DAL06P, SAL06P3 |
| Leviton | 6674, DDMX1, DSL06-1LZ, DSM10-1LZ, IPL06 |
| Lutron | AYCL-253P, DVCL-153P, DVCL-253P, DVELV-300P, HCL453P, MACL-153P, PD-6WCL, SELV-300P |

Dimming range: 10%-100%

¹ This table shows dimmers that have been tested and have demonstrated proper operation under normal conditions. Each installation being unique, various factors such as load, common neutrals or other electrical products on the circuit can, in certain instances, cause variance in system performance. Read and comply to the dimmer installation instructions. Consult dimming system manufacturer for additional support in operation. Some dimmers may require more than one product for stable operation. Stanpro recommends to use dimmers designed to work with LED products. Older dimmers designed for incandescent products may cause erratic operation.

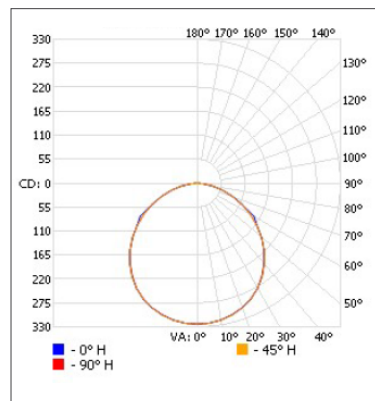
DIMENSIONS AND WEIGHT



PHOTOMETRIC DATA¹

70016 • LPDL4R-9A-5CBK/CHOICE • 3 000K • 927.7 lm

Polar candela distribution



Zonal lumen summary

| Zone | Lumens | % Fixture |
|--------|--------|-----------|
| 0-30 | 253.3 | 27.3 |
| 0-40 | 416.1 | 44.9 |
| 0-60 | 733.4 | 79.1 |
| 60-90 | 192.8 | 20.8 |
| 70-100 | 80.9 | 8.7 |
| 90-120 | 0.3 | 0 |
| 0-90 | 926.2 | 99.8 |
| 90-180 | 1.6 | 0.2 |
| 0-180 | 927.7 | 100 |

Illuminance at a distance

| Center beam fc | | Beam width | |
|----------------|------|------------|-------|
| 1.7' | 112 | 5.2' | 5.1' |
| 3.3' | 29.7 | 10.1' | 9.8' |
| 5.0' | 12.9 | 15.3' | 14.9' |
| 6.7' | 7.19 | 20.5' | 19.9' |
| 8.3' | 4.69 | 25.4' | 24.7' |
| 10.0' | 3.23 | 30.6' | 29.7' |

Vert. spread: 113.7°
Horiz. spread: 112.2°

¹ Complete IES files available on our website.

| Qty | Description | Price |
|-----|-------------|-------|
| | | |

I accept the specifications of the luminaire configuration mentioned above.

Name: _____
 Company: _____
 Signature: _____

Date: _____

Data is based upon tests performed in a controlled environment. Actual performance can vary depending on operating conditions. All products are subject to change or may be discontinued any time without notice.