

Project: _____

Type: _____

Drawn by: _____ Catalogue #: _____

Date: _____

Individual Spec Sheet

TRADITIONAL RECESSED

ORDERING INFORMATION

Order code: 62689
Model number: RF4.25in/REM0D/IC/E26/STD
UPC: 069549626898
Case quantity: 6

PHYSICAL DATA

Type: Remodeler - IC
Housing material: Aluminum
Can diameter in. (mm): 4 1/4 (108)
Opening diameter in. (mm): 4 1/2 (114)
Socket: E26

PERFORMANCE DATA

Compatible lamp: R20¹, PAR20²
Volts (V): 120
Thermal protection: Yes
Junction box: Yes
Push-in connectors: Yes

INSTALLATION

- Clips mounting system
- Permits the installation in ceilings up to 1 1/4 in. in thickness
- Suitable for double drywall application
- Wire to wire connectors
- Can be made "airtight" using the aluminum strips provided

CAUTIONS

- Turn power off before inspection, installation, or removal
- Risk of electric shock – do not use where directly exposed to water or weather
- Risk of fire. Blinking light of this thermally protected fixture may indicate overheating
- Minimum 90 °C supply conductor
- May be interconnected using the same circuit
- Use with STANPRO trims only

This lighting equipment complies with Canadian standard ICES-005 for use in residential applications.
Max. of 4 no. 12 AWG through branch circuit conductor suitable for 90°C permitted in box.
For complete warranty information please visit www.standardpro.com



1
yr
warranty

**quick
ship**

**dry
location**

30w
maximum
per lamp

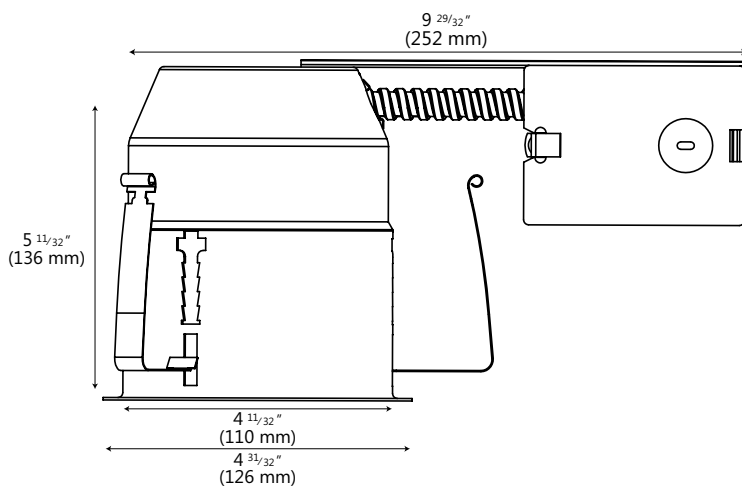
35w
maximum
per lamp



COMPATIBLE LAMPS AND TRIMS

Compatible lamps	Max Wattage (W)	Compatible STANPRO trims
Halogen or LED R20	30	62726, 62727
Halogen or LED PAR20	35	62726, 62727

DIMENSIONS



Qty	Description	Price

I accept the specifications of the luminaire configuration mentioned above.

Name: _____

Company: _____

Signature: _____

Date: _____

Data is based upon tests performed in a controlled environment. Actual performance can vary depending on operating conditions. All products are subject to change or may be discontinued any time without notice.