

## WPT-L

### WALL PACK

22 W (1 830 lumens)

The designed WPT-L is a highly efficient LED wall mount luminaire. This fixture is supplied with a photocell (120 V) and a wall bracket (for surface mounting only). This fixture is best suited for entrances, underpasses, or anywhere controlled security lighting is required. The WPT-L is made of tough die cast aluminum housing and is IP65 rated.

### FEATURES AND SPECIFICATIONS

#### • Construction

##### Housing

Die cast aluminum housing

##### Finish

Bronze UV resistant powder coat finish

#### • Electrical

- Integrated photocell (120 V standard)
- Input voltage: 120 V AC standard (208-277 V and 347-480 V AC optional)
- High quality, long life LEDs
- Estimated lifespan of 50 000 hours
- 22 W offers 1 830 total lumens
- 5 000 K color temperature
- Low starting temperature of -40°C

#### • Compliances

- cULus listed
- Suitable for wet locations



quick  
ship



LED  
fixture



damp  
location



wet  
location



**QUICK SHIP AND TECHNICAL SPECIFICATION TABLE** 🕒<sup>1</sup>

Part number	Watts (W)	Volts (VCA)	Color temp. (K) <sup>2</sup>	Lumen output (lm) <sup>3</sup>	Efficiency (lm/W)
WPT-LS1-A/50K/P	22	120	5 000	1 830	83

<sup>1</sup> **QUICK SHIP:** Product availability is subject to change without notice. Please contact your Stanpro customer service representative to confirm inventory levels at time of order.

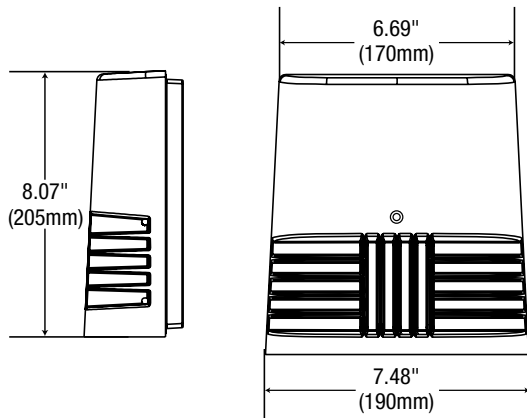
<sup>2</sup> Typical color temperature range: +/- 5 %.

<sup>3</sup> Lumen values are derived from photometric testing. Initial lumens range: +/- 10 %.

**ORDERING GUIDE**

Series	Lamp type	Lumen package (lm)	Volts (V)	Color temp. (K)	Options
WPT	L - LED	S1 - 1 830 (22 W)	A - 120 (standard) G - 208-277 H - 347-480	50K - 5 000	P - 120 V photocell (standard in 120 V and 347 V) P277 - 208-277 V photocell

**DIMENSIONS**



Data is based upon tests performed in a controlled environment. Actual performance can vary depending on operating conditions. All products are subject to change or may be discontinued any time without notice.