

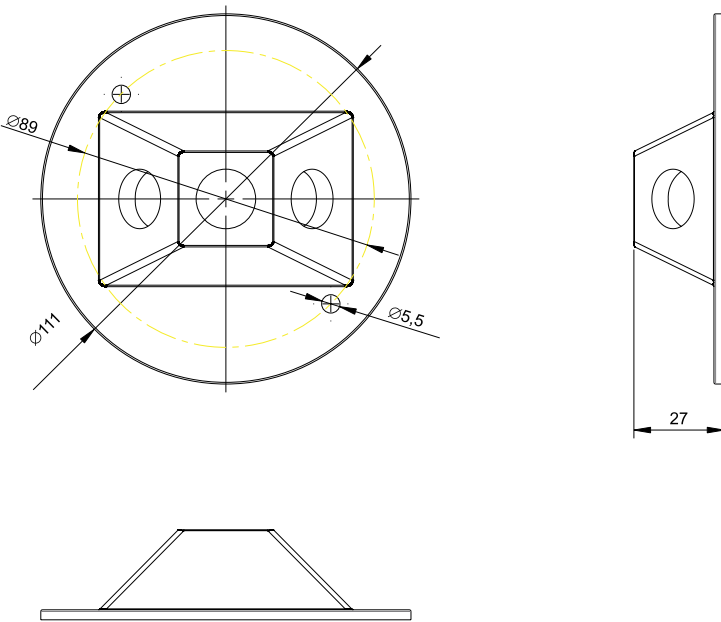
Date: _____
 In hands date of project: _____
 Project name/Number: _____
 Name of distributor: _____
 Client #: _____
 Name of end user: _____



ORDERING INFORMATION

Order code: 64208
 Description: KN/ACC/WPCOVER/WH/STD
 UPC: 69549642089

TECHNICAL DRAWINGS



COMPATIBLE LUMINAIRES

Type	Order code	Description
FLOOD SERIES	63323	LED/FL/10W/3K/KN/120-277V/STD
FLOOD SERIES	63324	LED/FL/10W/4K/KN/120-277V/STD
FLOOD SERIES	63325	LED/FL/30W/3K/KN/120-277V/STD
FLOOD SERIES	63326	LED/FL/30W/4K/KN/120-277V/STD
FLOOD SERIES	63327	LED/FL/50W/4K/KN/120-277V/STD

Qty	Description	Price

I accept the specifications of the luminaire configuration mentioned above.

Name: _____

Company: _____

Signature: _____

Date: _____

The attached data is provided to assist users in making lighting decisions based on various assumptions, factors and methods. Resources and efforts have been put in place to account for the data and the development of this tool however STANDARD does not warrant or guarantee that the results obtained will be accurate under actual use conditions. A lighting layout is recommend to ensure the proper light levels are attained to satisfy the demand of the application. Data is based upon tests performed in a controlled environment and representative of relative performance. Actual performance can vary depending on operating conditions. Specifications are subject to change without notice.

