



PRODUCT  
CODE(S):

NOTES:

TYPE:

*Interactive PDF. Click to type.*

# HB8 High Bays

## Power and 3CCT Selectable | 120-347V\*

Ideal for warehouses, factories, gas stations, gymnasiums,  
grocery stores, food processing facilities, and more

### Power Selectable

3 power settings per fixture

### 3CCT Selectable

3000K / 4000K / 5000K

### Complete with 65" Power Cord

### Black Polyester Powder-Coat Finish

150W and 240W models available in white

### Instant Start

0-10V Dimmable

### Shatterproof Interchangeable Optics

meet/exceed DLC 5.1 requirements

### Motion Sensor Receptacle

for easy installation of optional  
Motion Sensor (sold separately)

### NSF, NEMA 4X, IK08 and IP65 Rated



Pictured: 100W-150W



Pictured: 240W



Pictured: 300W

Included in Box:  
Eye Hook



\*Excluding 300W models | [www.csc-led.com](http://www.csc-led.com)

LIGHT SPECIFICATIONS AND ELECTRICAL



PRODUCT CODE	SELECTABLE WATTS	CCT	LUMENS	EFFICACY	V	CRI	FACTORY SETTINGS	MAX CURRENT
HB8-100W-3P-3CCT-UD	60W	3000K	9172 lm	146 lm/W	120-347V	82	100W 4000K	1.20A
		4000K	9807 lm	161 lm/W				
		5000K	9599 lm	155 lm/W				
	80W	3000K	11366 lm	138 lm/W				
		4000K	12379 lm	156 lm/W				
		5000K	12219 lm	152 lm/W				
	100W	3000K	13587 lm	135 lm/W				
		4000K	14672 lm	151 lm/W				
		5000K	14592 lm	145 lm/W				
HB8-150W-3P-3CCT-UD HB8-150W-3P-3CCT-UD-WH	100W	3000K	15036 lm	149 lm/W	120-347V	81	150W 4000K	1.70A
		4000K	15868 lm	156 lm/W				
		5000K	15321 lm	152 lm/W				
	120W	3000K	17589 lm	145 lm/W				
		4000K	18691 lm	153 lm/W				
		5000K	17805 lm	146 lm/W				
	150W	3000K	20343 lm	135 lm/W				
		4000K	21828 lm	150 lm/W				
		5000K	21491 lm	142 lm/W				
HB8-240W-3P-3CCT-UD HB8-240W-3P-3CCT-UD-WH	200W	3000K	27842 lm	138 lm/W	120-347V	81	240W 4000K	2.70A
		4000K	29483 lm	146 lm/W				
		5000K	29695 lm	147 lm/W				
	220W	3000K	29027 lm	143 lm/W				
		4000K	34213 lm	169 lm/W				
		5000K	31707 lm	157 lm/W				
	240W	3000K	33267 lm	137 lm/W				
		4000K	35550 lm	153 lm/W				
		5000K	35154 lm	145 lm/W				
HB8-300W-3P-3CCT-LV	240W	3000K	32425 lm	135 lm/W	120-277V	82	300W 4000K	4.00A
		4000K	35133 lm	148 lm/W				
		5000K	34692 lm	143 lm/W				
	270W	3000K	34039 lm	133 lm/W				
		4000K	38678 lm	148 lm/W				
		5000K	42259 lm	155 lm/W				
	300W	3000K	39459 lm	132 lm/W				
		4000K	46362 lm	160 lm/W				
		5000K	45091 lm	148 lm/W				

HB8-300W-3P-3CCT-HV	240W	3000K	36414 lm	152 lm/W	277-480V	82	300W 4000K	1.90A
		4000K	41811 lm	176 lm/W				
		5000K	40308 lm	167 lm/W				
	270W	3000K	39089 lm	145 lm/W				
		4000K	44907 lm	168 lm/W				
		5000K	44039 lm	163 lm/W				
	300W	3000K	39313 lm	133 lm/W				
		4000K	46098 lm	160 lm/W				
		5000K	44566 lm	148 lm/W				

Surge Protection	6kV
Auxiliary Output	12V
Power Factor	0.9
THD	15%
Operating Temp	-40°C to 50°C
Beam Angle	90°
Dimmable	0-10V
L70 Life	50,000 hrs
Warranty	5-year

**APPROVALS & RATINGS**

cUL	E482965
NEMA	4X
IP Rating	IP65
IK Rating	IK08
NSF	YES

**CONSTRUCTION**

Housing	Die-Cast Aluminum
Lens	Polycarbonate
Finish Colour	Black or White
Power Cord	65"

**DLC INFORMATION**

PRODUCT CODE	PRIMARY USE	DLC ID	CLASSIFICATION
HB8-100W-3P-3CCT-UD	High-Bay Luminaires for Commercial and Industrial Buildings	S-7BRI00	Premium
HB8-150W-3P-3CCT-UD	High-Bay Luminaires for Commercial and Industrial Buildings	S-Y6OFX3	Premium
HB8-150W-3P-3CCT-UD-WH	High-Bay Luminaires for Commercial and Industrial Buildings	S-5XS86Z	Premium
HB8-240W-3P-3CCT-UD	High-Bay Luminaires for Commercial and Industrial Buildings	S-RMOULY	Premium
HB8-240W-3P-3CCT-UD-WH	High-Bay Luminaires for Commercial and Industrial Buildings	S-RMOULY	Premium
HB8-300W-3P-3CCT-LV	High-Bay Luminaires for Commercial and Industrial Buildings	S-5UB7WL	Premium
HB8-300W-3P-3CCT-HV	High-Bay Luminaires for Commercial and Industrial Buildings	S-L9FXMA	Premium

**ACCESSORIES (Sold Separately)**

Where WH represents White, HV represents 277-480V, & LV represents 120-277V

		SHADED CELLS INDICATE COMPATIBILITY						
PRODUCT NUMBER	PRODUCT NAME	100W	150W	150W (WH)	240W	240W (WH)	300W (HV)	300W (LV)
MS04-MW-TW-DC	Microwave Motion Sensor							
MS01-PIR-TW-DC	Infrared Motion Sensor							
MS04-RC*	Motion Sensor Remote Control							
HB8-WG-SM	Wire Guard - Small							

PRODUCT NUMBER	PRODUCT NAME	100W	150W	150W (WH)	240W	240W (WH)	300W (HV)	300W (LV)
HB8-WG-LG	Wire Guard - Large							
HB8-WG-XL	Wire Guard - Extra Large							
HB8-FR-LENS-SM	Frosted Lens - Small							
HB8-FR-LENS-LG	Frosted Lens - Large							
HB8-FR-LENS-XL	Frosted Lens - Extra Large							
HB8-PC-REF-SM	Polycarbonate Reflector - Small							
HB8-PC-REF-LG	Polycarbonate Reflector - Large							
HB8-PC-REF-XL	Polycarbonate Reflector - Extra Large							
HB8-PC-REF-RG-BCV	Polycarbonate Reflector Bottom Cover - Regular							
HB8-PC-REF-XL-BCV	Polycarbonate Reflector Bottom Cover - Extra Large							
HB8-AL-REF-SM	Aluminum Reflector - Small							
HB8-AL-REF-LG	Aluminum Reflector - Large							
HB8-AL-REF-XL	Aluminum Reflector - Extra Large							
HB8-YK-SM	Yoke Mount - Small, Black							
HB8-YK-SM-WH	Yoke Mount - Small, White							
HB8-YK-LG	Yoke Mount - Large, Black							
HB8-YK-LG-WH	Yoke Mount - Large, White							
HB8-YK-XL	Yoke Mount - Extra Large, Black							
HB8-EB	Eye Bolt - Black							
HB8-EB-WH	Eye Bolt - White							
HB8-CABLE	Security Cable							
HB8-60D-LENS-SM	60° Optic Lens - Small							
HB8-60D-LENS-LG	60° Optic Lens - Large							
HB8-60D-LENS-XL	60° Optics Lens - Extra Large							
HB8-120D-LENS-SM	120° Optic Lens - Small							
HB8-120D-LENS-LG	120° Optic Lens - Large							
HB8-120D-LENS-XL	120° Optic Lens - Extra Large							
BLD-GM40D	Emergency LED Driver							
BLD01-RC**	Remote Control for BLD-GM40D							
UFO-EBU-KIT**	Mounting Kit for Emergency LED Driver							



HB8 High Bay pictured with BLD-GM40D and UFO-EBU-KIT



HB8 High Bay pictured with optional Frosted Lens

\*MS04-RC is a **required** accessory for the MS04-MW-TW-DC and MS01-PIR-TW-DC

\*\*The BLD01-RC and UFO-EBU-KIT are **required** accessories for the BLD-GM40D

**NOTE:** Luminaire does not meet DLC requirements with Frosted Lens installed



Frosted Lens



Microwave Motion Sensor



Infrared Motion Sensor



Eye Bolt



60° Optics



Polycarbonate Reflector



Wire Guard



Yoke Mount



120° Optics



Aluminum Reflector

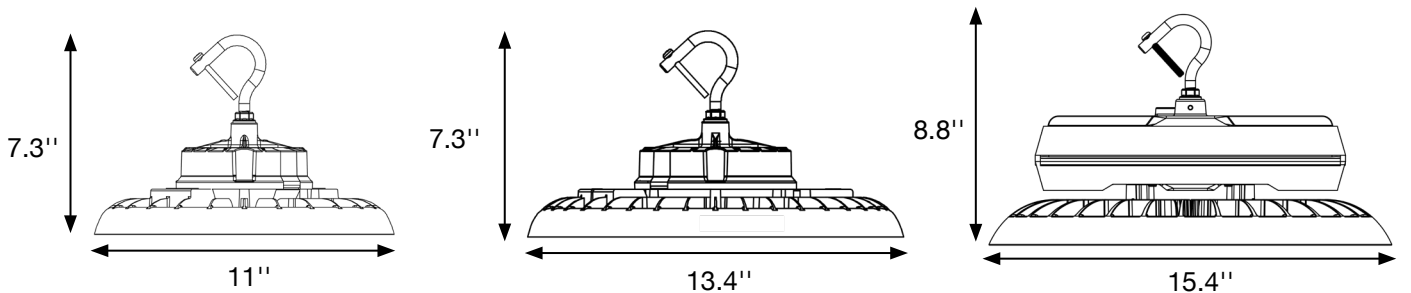


Polycarbonate Reflector Bottom Cover



Cable

## MEASUREMENTS (IN) & WEIGHTS (LBS)



### 100W and 150W

Product Meas.	11" x 11" x 7.3"
Fixture Weight	4.85 lbs
Carton Qty	1
Carton G.W.	5.95 lbs
Carton Meas.	11.8" x 11.8" x 4.9"

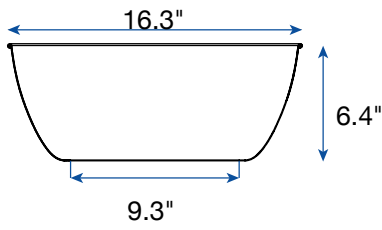
### 240W

Product Meas.	13.4" x 13.4" x 7.3"
Fixture Weight	6.83 lbs
Carton Qty	1
Carton G.W.	7.94 lbs
Carton Meas.	14.2" x 14.2" x 4.9"

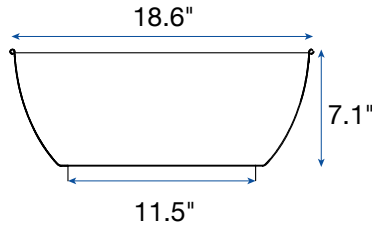
### 300W

Product Meas.	15.4" x 15.4" x 8.8"
Fixture Weight	8.9 lbs
Carton Qty	1
Carton G.W.	10.8 lbs
Carton Meas.	17.7" x 17.7" x 7.9"

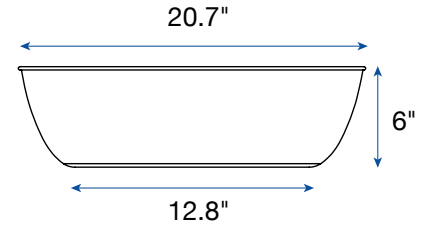
REFLECTOR DIMENSIONAL DRAWINGS



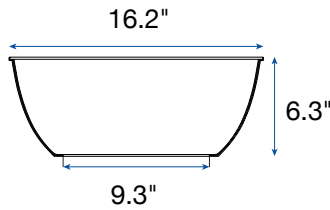
HB8-AL-REF-SM



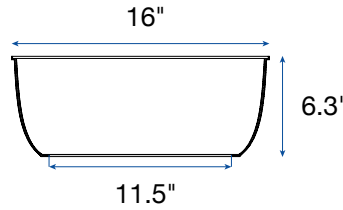
HB8-AL-REF-LG



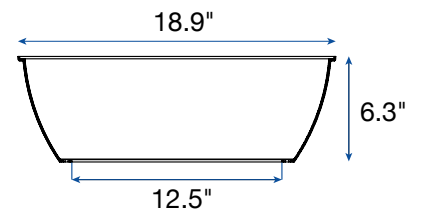
HB8-AL-REF-XL



HB8-PC-REF-SM

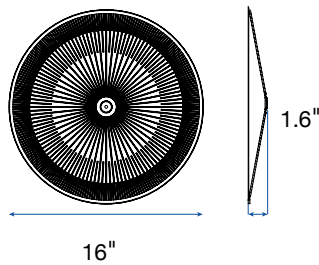


HB8-PC-REF-LG

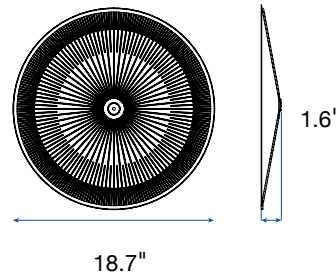


HB8-PC-REF-SM

BOTTOM COVER DIMENSIONAL DRAWINGS

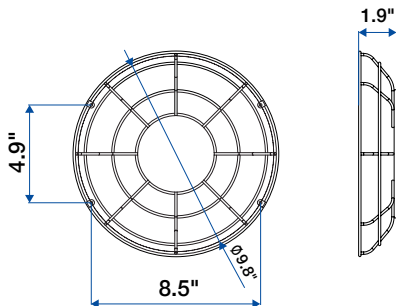


HB8-PC-REF-RG-BCV

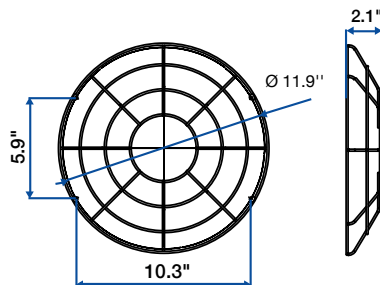


HB8-PC-REF-XL-BCV

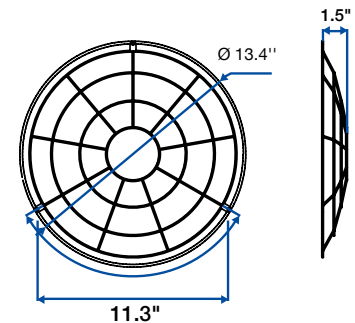
WIRE GUARD DIMENSIONAL DRAWINGS



HB8-WG-SM



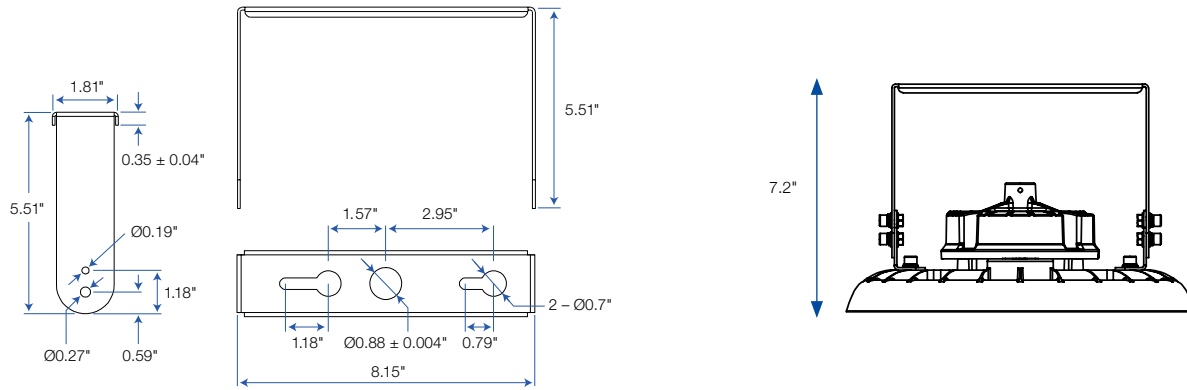
HB8-WG-LG



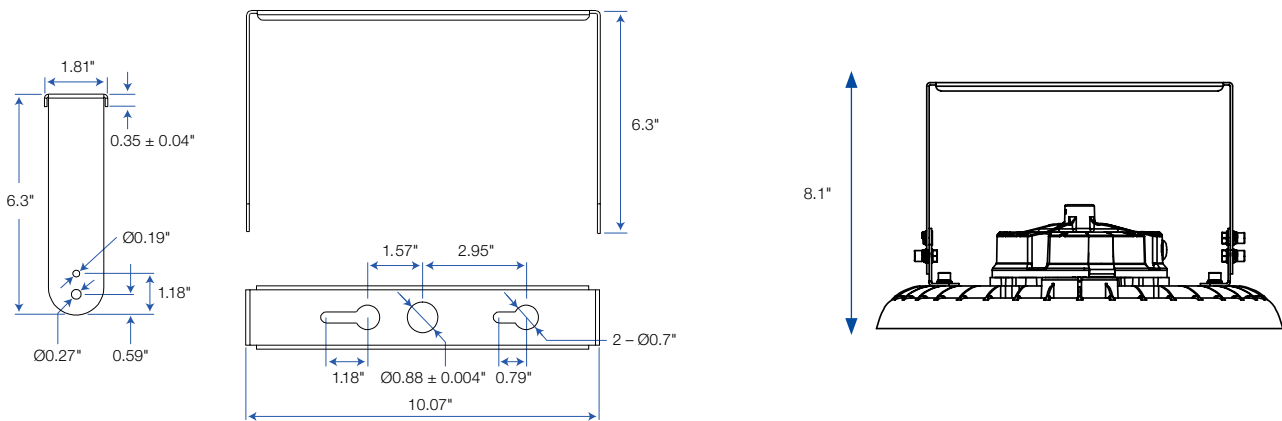
HB8-WG-XL

YOKE MOUNT DIMENSIONAL DRAWINGS

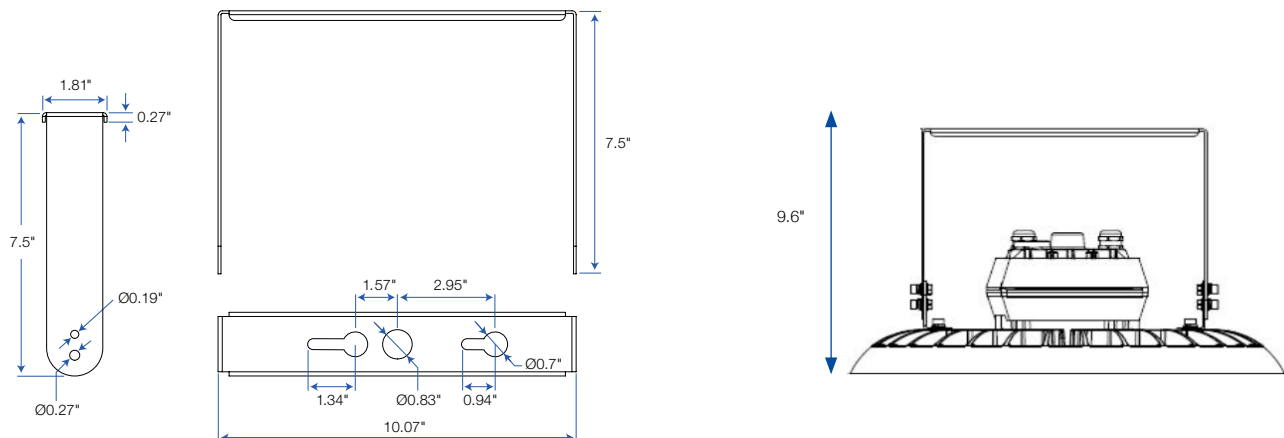
HB8-YK-SM



HB8-YK-LG



HB8-YK-XL



BRITISH COLUMBIA

1140-2375 Fremont St, Port Coquitlam,  
BC V3B 0N9 | (778) 730-0448

ALBERTA

13-2355 52 Ave SE Calgary, AB  
T2C 4X7 | (403) 907-0212

ONTARIO

8-540 Jamieson Pkwy, Cambridge, ON  
N3G 0G5 | (519) 880-9833