

Individual Spec Sheet

EXTERNAL PIR SENSOR

Bi-Level and Tri-Level Capability

Field Installable

ORDERING INFORMATION

Order code: 69069
UPC: 069549024021
Case quantity: 54

SENSOR TECHNICAL SPECIFICATIONS

Input voltage: 120-277 V AC
Frequency: 60 Hz
Input Current: 10 A Max @ 120 V, 4.3 A Max. @ 277 V
Input Power: 1 200 W Max.
Output Voltage: 120-277 V AC
Output Current: 10 A Max. @ 120 V, 4.3 A Max. @ 277 V
Output Power: 1 200 W Max.
Dimming: Class 2, 0-10 V DC 10 mA Max.
Sinking Current: 10 mA Max.
Detection Range: 40-80 ft
Mounting Height: 20-40 ft
Operating Temperature: -30 °C to 65 °C (-22 °F to 149 °F)
IP Rating: IP40

SENSOR DEFAULT PROGRAMMING SETTINGS

Trim Level: 100%
Sensitivity: High
Hold Time: 5 min
Standby Dimming Level: 30%
Standby Time: 60 min
Photocell: Off

ADDITIONAL SENSOR PROGRAMMING SETTINGS

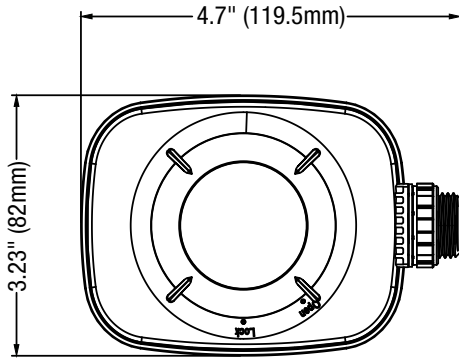
To take advantage of additional setting options and/or modify sensor programming, please order the remote control (Order Code: 69080).

Trim Level: 50% / 75% / 100%
Sensitivity: Off / Low / High
Hold Time: 30s / 5 min / 15 min / 30 min
Standby Dim: 0% / 10% / 30% / 50%
Time Delay Setting: 10s / 5 min / 15 min / 30 min / 60 min / ∞
Photocell: Low / High / Off

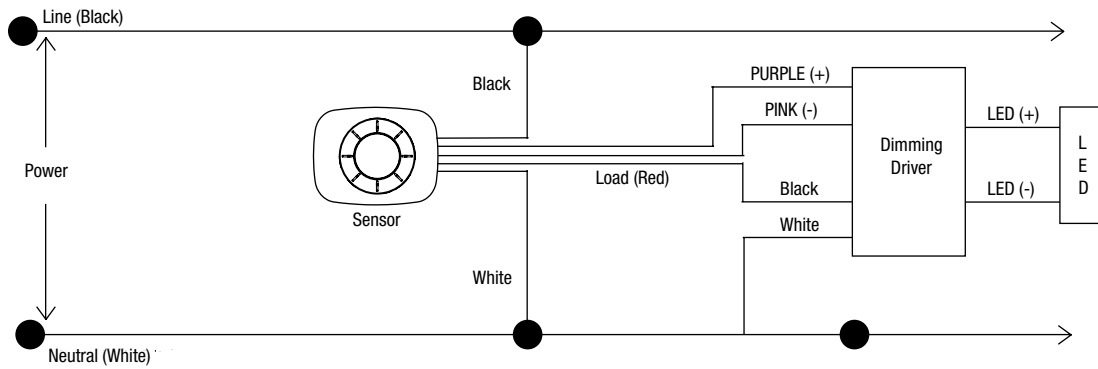


Data is based upon tests performed in a controlled environment. Actual performance can vary depending on operating conditions. All products are subject to change or may be discontinued any time without notice.

DIMENSIONS

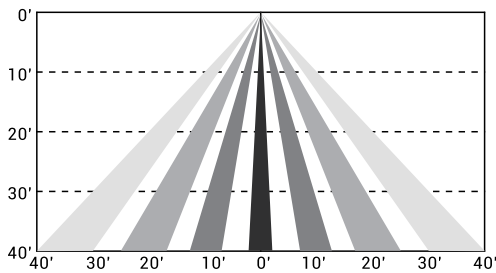


WIRING DIAGRAM

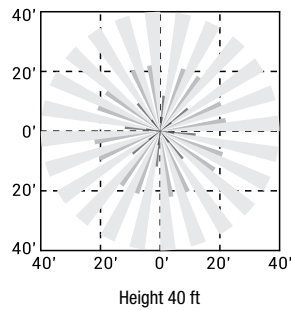


LENS COVERAGE

SIDE VIEW



TOP VIEW



Qty	Description	Price

I accept the specifications of the accessory configuration mentioned above.

Name: _____

Company: _____

Signature: _____

Date: _____

Data is based upon tests performed in a controlled environment. Actual performance can vary depending on operating conditions. All products are subject to change or may be discontinued any time without notice.