



PRODUCT CODE(S):

PROJECT:

TYPE:

Interactive PDF. Click to type.

# VARO Architectural Linears

Power and 5CCT Selectable | 120-347V | 2', 4', 8'

With a wide range of accessories, including direct-lit connectors and flexible mounting options, you can create endless custom lighting layouts tailored to any space!

### Power Selectable

3 power settings per product

### 5CCT Selectable

2700K / 3000K / 3500K / 4000K / 5000K

### Configurable Uplight & Downlight

- 100% downlight and 0% uplight
- 90% downlight and 10% uplight
- 70% downlight and 30% uplight

### 1 Power Cord Required Per Run

sold separately in 6' and 12' lengths

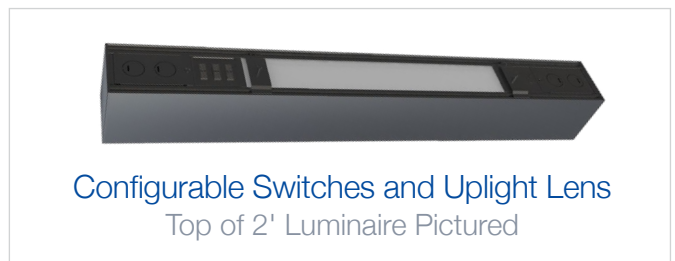
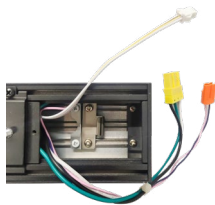
### 5 Connector Options

allow for custom configurations



V L T X IL

Easy Runs and Shape Connections With Quick-Connect Design



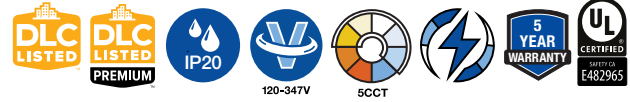
Configurable Switches and Uplight Lens  
Top of 2' Luminaire Pictured

### Flexible Mounting Options:

T-Bar, Recessed, Wall Mount, Suspension, and Surface Mount Kits sold separately



LIGHT SPECIFICATIONS AND ELECTRICAL



PRODUCT CODE	WATTS	CCT	LUMENS*	EFFICACY	CRI	FACTORY SETTINGS	MAX CURRENT
ALV-2-DI-25W-3P-5CCT-UD-BK ALV-2-DI-25W-3P-5CCT-UD-WH	15W	2700K	2055 lm	137 lm/W	>80	25W 4000K  100% Downlight  0% Uplight	0.229A
		3000K	2100 lm	140 lm/W			
		3500K	2115 lm	141 lm/W			
		4000K	2130 lm	142 lm/W			
		5000K	2085 lm	139 lm/W			
	20W	2700K	2660 lm	133 lm/W			
		3000K	2720 lm	136 lm/W			
		3500K	2740 lm	137 lm/W			
		4000K	2760 lm	138 lm/W			
		5000K	2700 lm	135 lm/W			
	25W	2700K	3250 lm	130 lm/W			
		3000K	3325 lm	133 lm/W			
		3500K	3350 lm	134 lm/W			
		4000K	3375 lm	135 lm/W			
		5000K	3300 lm	132 lm/W			
ALV-4-DI-50W-3P-5CCT-UD-BK ALV-4-DI-50W-3P-5CCT-UD-WH	30W	2700K	4110 lm	137 lm/W	>80	50W 4000K  100% Downlight  0% Uplight	0.458A
		3000K	4200 lm	140 lm/W			
		3500K	4230 lm	141 lm/W			
		4000K	4260 lm	142 lm/W			
		5000K	4170 lm	139 lm/W			
	40W	2700K	5320 lm	133 lm/W			
		3000K	5440 lm	136 lm/W			
		3500K	5480 lm	137 lm/W			
		4000K	5520 lm	138 lm/W			
		5000K	5400 lm	135 lm/W			
	50W	2700K	6500 lm	130 lm/W			
		3000K	6650 lm	133 lm/W			
		3500K	6700 lm	134 lm/W			
		4000K	6750 lm	135 lm/W			
		5000K	6600 lm	132 lm/W			

PRODUCT CODE	WATTS	CCT	LUMENS*	EFFICACY	CRI	FACTORY SETTINGS	MAX CURRENT
ALV-8-DI-100W-3P-5CCT-UD-BK ALV-8-DI-100W-3P-5CCT-UD-WH	60W	2700K	8820 lm	137 lm/W	>80	100W 4000K  100% Downlight  0% Uplight	0.917A
		3000K	8400 lm	140 lm/W			
		3500K	8460 lm	141 lm/W			
		4000K	8520 lm	142 lm/W			
		5000K	8340 lm	139 lm/W			
	80W	2700K	10640 lm	133 lm/W			
		3000K	10880 lm	136 lm/W			
		3500K	10960 lm	137 lm/W			
		4000K	11040 lm	138 lm/W			
		5000K	10800 lm	135 lm/W			
	100W	2700K	13000 lm	130 lm/W			
		3000K	13300 lm	134 lm/W			
		3500K	13400 lm	134 lm/W			
		4000K	13500 lm	135 lm/W			
		5000K	13200 lm	132 lm/W			

\*For specific uplight/downlight settings see pages 6-8.

Surge Protection	2kV
Auxiliary Output	No
Power Factor	>0.9
THD	<20%
Operating Temp	-30°C to 45°C

Beam Angle (Downlight & Uplight)	110°
Dimmable	0-10V
L70 Life	>54,000 hrs
Voltage	120-347V
Warranty	5-year

### DLC INFORMATION

PRODUCT CODE	PRIMARY USE	DLC ID	CLASSIFICATION
ALV-2-DI-25W-3P-5CCT-UD-WH ALV-2-DI-25W-3P-5CCT-UD-BK	Direct Linear Ambient Luminaires	S-HKDJM2	Standard
	Stairwell and Passageway Luminaires	S-N8GX5B	Premium
ALV-4-DI-50W-3P-5CCT-UD-WH ALV-4-DI-50W-3P-5CCT-UD-BK	Direct Linear Ambient Luminaires	S-WM0WVT	Standard
	Stairwell and Passageway Luminaires	S-V7KHB9	Premium
	Low-Bay Luminaires for Commercial & Industrial Buildings	S-GHG48H	Standard
ALV-8-DI-100W-3P-5CCT-UD-WH ALV-8-DI-100W-3P-5CCT-UD-BK	Direct Linear Ambient Luminaires	S-S969FY	Standard
	Stairwell and Passageway Luminaires	S-C5L455	Premium
	High-Bay Luminaires for Commercial & Industrial Buildings	S-9DRRVG	Premium

### APPROVALS & LISTINGS

cUL	E482965
IP Rating	IP20
IK Rating	IK08

### CONSTRUCTION

Housing	Extruded Aluminum
Lens	Polycarbonate
Finish Colour	White or Black

**ACCESSORIES** (Sold Separately)

POWER CORDS SOLD SEPARATELY. 1 POWER CORD REQUIRED PER RUN\*

		SHADED CELLS INDICATE COMPATIBILITY					
		Black			White		
PRODUCT NUMBER	PRODUCT DESCRIPTION	2'	4'	8'	2'	4'	8'
ALV-CON-IL	Inline Connector						
ALV-CON-L-BK	Connector - L shape (90°), black finish						
ALV-CON-L-WH	Connector - L shape (90°), white finish						
ALV-CON-T-BK	Connector - T shape, black finish						
ALV-CON-T-WH	Connector - T shape, white finish						
ALV-CON-V-BK	Connector - V shape (120°), black finish						
ALV-CON-V-WH	Connector - V shape (120°), white finish						
ALV-CON-X-BK	Connector - X shape, black finish						
ALV-CON-X-WH	Connector - X shape, white finish						
*ALV-CORD-BK-12FT	12' Power & Dimming Cord - Black, 5-wire						
*ALV-CORD-WH-12FT	12' Power & Dimming Cord - White, 5-wire						
*ALV-CORD-BK-6FT	6' Power & Dimming Cord - Black, 5-wire						
*ALV-CORD-WH-6FT	6' Power & Dimming Cord - White, 5-wire						
ALV-LENS-FR-1FT	1' Seamless Connection Lens - Custom, for lengths greater than 24', frosted						
ALV-LENS-FR-24FT	24' Seamless Connection Lens - Frosted						
ALV-RFK-BK-2FT	2' Recessed Frame Kit - Black finish, modular						
ALV-RFK-WH-2FT	2' Recessed Frame Kit - White finish, modular						
ALV-RFK-BK-4FT	4' Recessed Frame Kit - Black finish, modular						
ALV-RFK-WH-4FT	4' Recessed Frame Kit - White finish, modular						
ALV-SMK-BK	Surface Mount Kit - Black finish						
ALV-SMK-WH	Surface Mount Kit - White finish						
ALV-TBK**	T-Bar Mount Kit						
ALV-WMK-BK	Wall Mount Kit - Black finish						
ALV-WMK-WH	Wall Mount Kit - White finish						
ALV-SUS-BK-12FT	Suspension Kit - Black Aircraft Cable, Black Canopy, 12'						
ALV-SUS-WH-12FT	Suspension Kit - White Aircraft Cable, White Canopy, 12'						
ALV-SUS-BK-6FT	Suspension Kit - Black Aircraft Cable, Black Canopy, 6'						
ALV-SUS-WH-6FT	Suspension Kit - White Aircraft Cable, White Canopy, 6'						
ALV-CPY-BK**	Canopy - Single black canopy, no cable entry						
ALV-CPY-WH**	Canopy - Single white canopy, no cable entry						

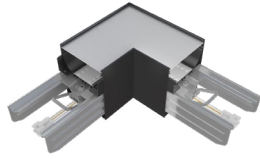
**NOTE:** ALV-LENS-FR-1FT are for runs exceeding 24', measured in 1' increments. For runs under 24', order ALV-LENS-FR-24FT and cut on site.

\*1x ALV-CORD is required per run. A run can be inline or a shape that doesn't exceed 400W (120V) or 1250W (347V).

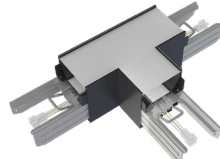
\*\*Suspension Kit required for use

**CONNECTORS (SOLD SEPARATELY)**

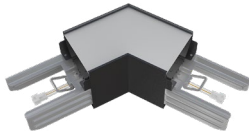
XX denotes finish colour (-BK or -WH). See page 5 for full product numbers.



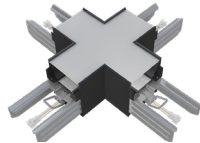
Connector (L)  
ALV-CON-L-XX



Connector (T)  
ALV-CON-T-XX



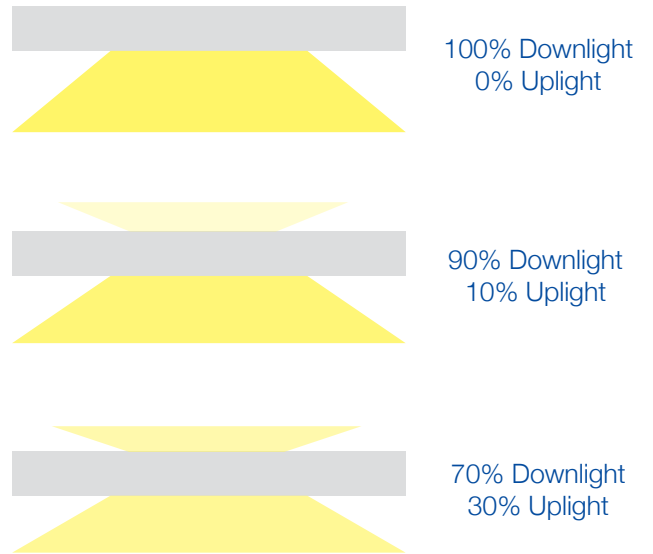
Connector (V)  
ALV-CON-V-XX



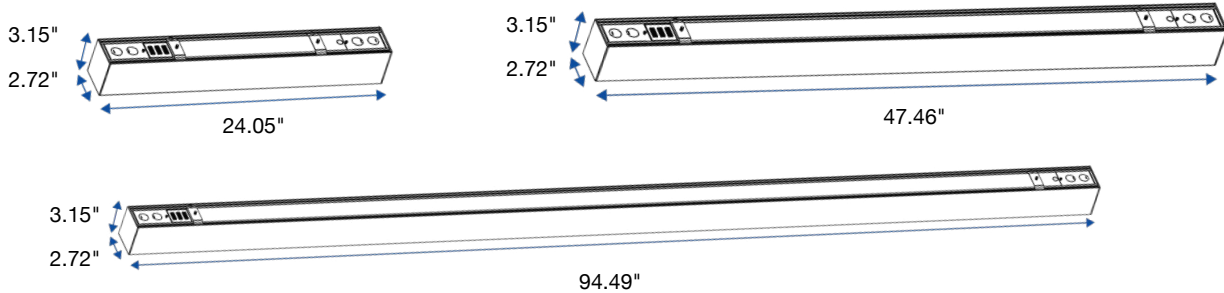
Connector (X)  
ALV-CON-X-XX

For Inline Linear Connections, use [ALV-CON-IL](#)

**UPLIGHT & DOWNLIGHT SETTINGS**



**MEASUREMENTS (IN) & WEIGHTS (LBS)**



2' Models	
<b>Luminaire</b>	
Meas.	24.05" x 2.72" x 3.15"
Weight	2.87 lbs
<b>Carton</b>	
Qty	1
Gross Weight	3.02 lbs
Dimensions	24.65" x 3.11" x 3.94"
<b>Master Carton</b>	
Qty	6
Gross Weight	19.62 lbs
Dimensions	25.43" x 10.55" x 7.9"

4' Models	
<b>Luminaire</b>	
Meas.	47.46" x 2.72" x 3.15"
Weight	4.85 lbs
<b>Carton</b>	
Qty	1
Gross Weight	5.1 lbs
Dimensions	47.95" x 3.11" x 3.94"
<b>Master Carton</b>	
Qty	6
Gross Weight	32.6 lbs
Dimensions	48.74" x 10.55" x 9.45"

8' Models	
<b>Luminaire</b>	
Meas.	94.49" x 2.72" x 3.15"
Weight	9.04 lbs
<b>Carton</b>	
Qty	1
Gross Weight	9.4 lbs
Dimensions	95.08" x 3.11" x 3.94"
<b>Master Carton</b>	
Qty	6
Gross Weight	60.64 lbs
Dimensions	95.87" x 10.55" x 9.45"

**UPLIGHT/DOWNLIGHT SETTINGS: 90% Downlight, 10% Uplight**

PRODUCT CODE	WATTS	CCT	TOTAL LUMENS	DOWNLIGHT LUMENS	UPLIGHT LUMENS	EFFICACY	CRI	SETTINGS	MAX CURRENT
ALV-2-DI-25W-3P-5CCT-UD-BK ALV-2-DI-25W-3P-5CCT-UD-WH	15W	2700K	2055 lm	1850 lm	206 lm	137 lm/W	>80	90% Downlight  10% Uplight	0.229A
		3000K	2100 lm	1890 lm	210 lm	140 lm/W			
		3500K	2115 lm	1904 lm	212 lm	141 lm/W			
		4000K	2130 lm	1917 lm	213 lm	142 lm/W			
		5000K	2085 lm	1877 lm	209 lm	139 lm/W			
	20W	2700K	2660 lm	2394 lm	266 lm	133 lm/W			
		3000K	2720 lm	2448 lm	272 lm	136 lm/W			
		3500K	2740 lm	2466 lm	274 lm	137 lm/W			
		4000K	2760 lm	2484 lm	276 lm	138 lm/W			
		5000K	2700 lm	2430 lm	270 lm	135 lm/W			
	25W	2700K	3250 lm	2925 lm	325 lm	130 lm/W			
		3000K	3325 lm	2993 lm	333 lm	133 lm/W			
		3500K	3350 lm	3015 lm	335 lm	134 lm/W			
		4000K	3375 lm	3038 lm	338 lm	135 lm/W			
		5000K	3300 lm	2970 lm	330 lm	132 lm/W			
ALV-4-DI-50W-3P-5CCT-UD-BK ALV-4-DI-50W-3P-5CCT-UD-WH	30W	2700K	4110 lm	3699 lm	411 lm	137 lm/W	>80	90% Downlight  10% Uplight	0.458A
		3000K	4200 lm	3780 lm	420 lm	140 lm/W			
		3500K	4230 lm	3807 lm	423 lm	141 lm/W			
		4000K	4260 lm	3834 lm	426 lm	142 lm/W			
		5000K	4170 lm	3753 lm	417 lm	139 lm/W			
	40W	2700K	5320 lm	4788 lm	532 lm	133 lm/W			
		3000K	5440 lm	4896 lm	544 lm	136 lm/W			
		3500K	5480 lm	4932 lm	548 lm	137 lm/W			
		4000K	5520 lm	4968 lm	552 lm	138 lm/W			
		5000K	5400 lm	4860 lm	540 lm	135 lm/W			
	50W	2700K	6500 lm	5850 lm	650 lm	130 lm/W			
		3000K	6650 lm	5985 lm	665 lm	133 lm/W			
		3500K	6700 lm	6030 lm	670 lm	134 lm/W			
		4000K	6750 lm	6075 lm	675 lm	135 lm/W			
		5000K	6600 lm	5940 lm	660 lm	132 lm/W			

PRODUCT CODE	WATTS	CCT	TOTAL LUMENS	DOWNLIGHT LUMENS	UPLIGHT LUMENS	EFFICACY	CRI	SETTINGS	MAX CURRENT
ALV-8-DI-100W-3P-5CCT-UD-BK ALV-8-DI-100W-3P-5CCT-UD-WH	60W	2700K	8820 lm	7938 lm	882 lm	137 lm/W	>80	90% Downlight  10% Uplight	0.917A
		3000K	8400 lm	7560 lm	840 lm	140 lm/W			
		3500K	8460 lm	7614 lm	846 lm	141 lm/W			
		4000K	8520 lm	7668 lm	852 lm	142 lm/W			
		5000K	8340 lm	7506 lm	834 lm	139 lm/W			
	80W	2700K	10640 lm	9576 lm	1064 lm	133 lm/W			
		3000K	10880 lm	9792 lm	1088 lm	136 lm/W			
		3500K	10960 lm	9864 lm	1096 lm	137 lm/W			
		4000K	11040 lm	9936 lm	1104 lm	138 lm/W			
		5000K	10800 lm	9720 lm	1080 lm	135 lm/W			
	100W	2700K	13000 lm	11700 lm	1300 lm	130 lm/W			
		3000K	13300 lm	11970 lm	1330 lm	134 lm/W			
		3500K	13400 lm	12060 lm	1340 lm	134 lm/W			
		4000K	13500 lm	12150 lm	1350 lm	135 lm/W			
		5000K	13200 lm	11880 lm	1320 lm	132 lm/W			

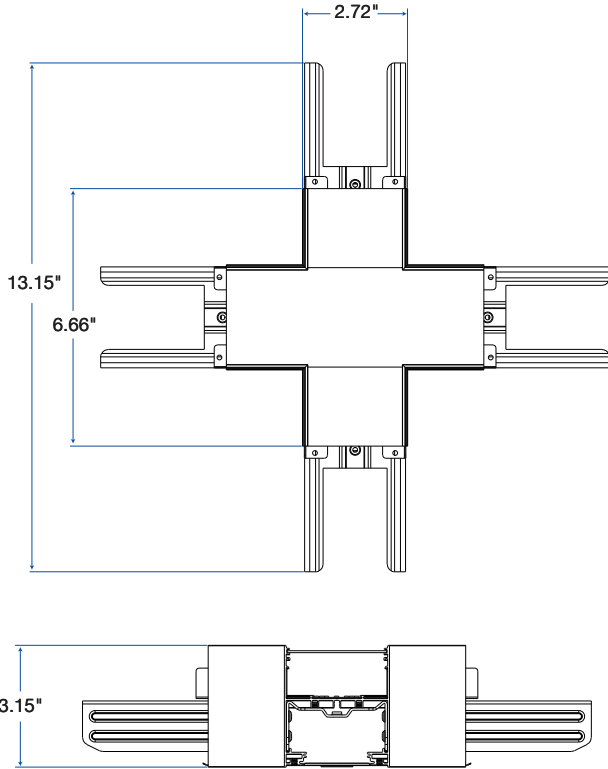
**UPLIGHT/DOWNLIGHT SETTINGS: 70% Downlight, 30% Uplight**

PRODUCT CODE	WATTS	CCT	TOTAL LUMENS	DOWNLIGHT LUMENS	UPLIGHT LUMENS	EFFICACY	CRI	SETTINGS	MAX CURRENT
ALV-2-DI-25W-3P-5CCT-UD-BK ALV-2-DI-25W-3P-5CCT-UD-WH	15W	2700K	2055 lm	1439 lm	617 lm	137 lm/W	>80	70% Downlight  30% Uplight	0.229A
		3000K	2100 lm	1470 lm	630 lm	140 lm/W			
		3500K	2115 lm	1481 lm	635 lm	141 lm/W			
		4000K	2130 lm	1491 lm	639 lm	142 lm/W			
		5000K	2085 lm	1460 lm	626 lm	139 lm/W			
	20W	2700K	2660 lm	1862 lm	798 lm	133 lm/W			
		3000K	2720 lm	1904 lm	816 lm	136 lm/W			
		3500K	2740 lm	1918 lm	822 lm	137 lm/W			
		4000K	2760 lm	1932 lm	828 lm	138 lm/W			
		5000K	2700 lm	1890 lm	810 lm	135 lm/W			
	25W	2700K	3250 lm	2275 lm	975 lm	130 lm/W			
		3000K	3325 lm	2328 lm	998 lm	133 lm/W			
		3500K	3350 lm	2345 lm	1005 lm	134 lm/W			
		4000K	3375 lm	2363 lm	1013 lm	135 lm/W			
		5000K	3300 lm	2310 lm	990 lm	132 lm/W			

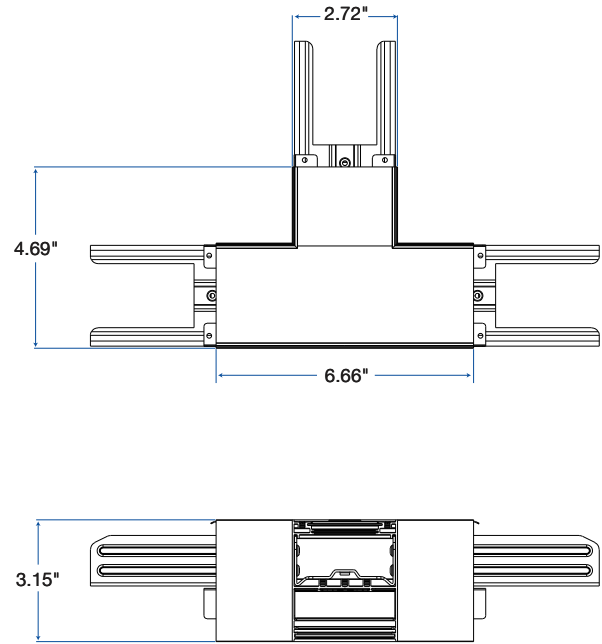
PRODUCT CODE	WATTS	CCT	TOTAL LUMENS	DOWNLIGHT LUMENS	UPLIGHT LUMENS	EFFICACY	CRI	SETTINGS	MAX CURRENT
ALV-4-DI-50W-3P-5CCT-UD-BK ALV-4-DI-50W-3P-5CCT-UD-WH	30W	2700K	4110 lm	2877 lm	1233 lm	137 lm/W	>80	70% Downlight  30% Uplight	0.458A
		3000K	4200 lm	2940 lm	1260 lm	140 lm/W			
		3500K	4230 lm	2961 lm	1269 lm	141 lm/W			
		4000K	4260 lm	2982 lm	1278 lm	142 lm/W			
		5000K	4170 lm	2919 lm	1251 lm	139 lm/W			
	40W	2700K	5320 lm	3724 lm	1596 lm	133 lm/W			
		3000K	5440 lm	3808 lm	1632 lm	136 lm/W			
		3500K	5480 lm	3836 lm	1644 lm	137 lm/W			
		4000K	5520 lm	3864 lm	1656 lm	138 lm/W			
		5000K	5400 lm	3780 lm	1620 lm	135 lm/W			
	50W	2700K	6500 lm	4550 lm	1950 lm	130 lm/W			
		3000K	6650 lm	4655 lm	1995 lm	133 lm/W			
		3500K	6700 lm	4690 lm	2010 lm	134 lm/W			
		4000K	6750 lm	4725 lm	2025 lm	135 lm/W			
		5000K	6600 lm	4620 lm	1980 lm	132 lm/W			
ALV-8-DI-100W-3P-5CCT-UD-BK ALV-8-DI-100W-3P-5CCT-UD-WH	60W	2700K	8820 lm	6174 lm	2646 lm	137 lm/W	>80	70% Downlight  30% Uplight	0.917A
		3000K	8400 lm	5880 lm	2520 lm	140 lm/W			
		3500K	8460 lm	5922 lm	2538 lm	141 lm/W			
		4000K	8520 lm	5964 lm	2556 lm	142 lm/W			
		5000K	8340 lm	5838 lm	2502 lm	139 lm/W			
	80W	2700K	10640 lm	7448 lm	3192 lm	133 lm/W			
		3000K	10880 lm	7616 lm	3264 lm	136 lm/W			
		3500K	10960 lm	7672 lm	3288 lm	137 lm/W			
		4000K	11040 lm	7728 lm	3312 lm	138 lm/W			
		5000K	10800 lm	7560 lm	3240 lm	135 lm/W			
	100W	2700K	13000 lm	9100 lm	3900 lm	130 lm/W			
		3000K	13300 lm	9310 lm	3990 lm	134 lm/W			
		3500K	13400 lm	9380 lm	4020 lm	134 lm/W			
		4000K	13500 lm	9450 lm	4050 lm	135 lm/W			
		5000K	13200 lm	9240 lm	3960 lm	132 lm/W			

CONNECTORS MEASUREMENTS (IN)

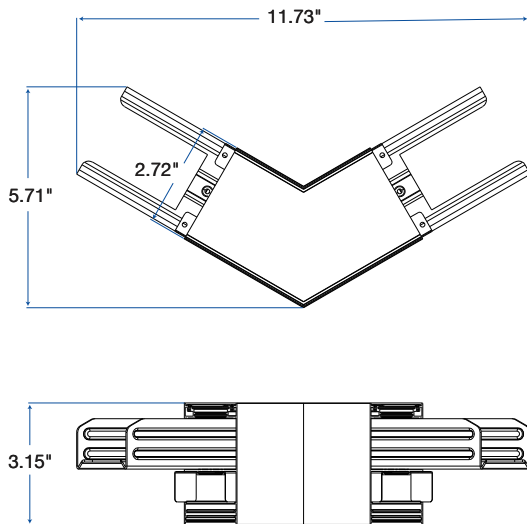
Connector (X)  
ALV-CON-X-XX



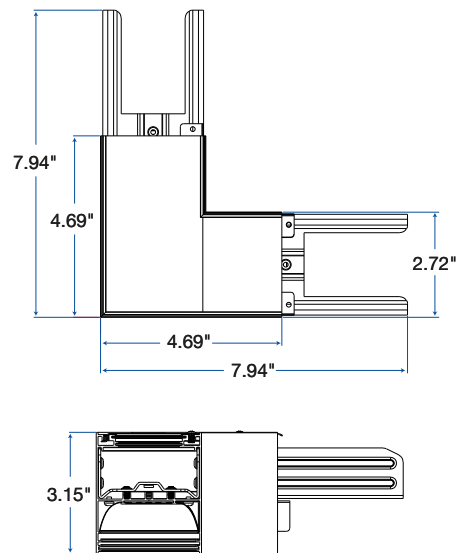
Connector (T)  
ALV-CON-T-XX



Connector (V)  
ALV-CON-V-XX



Connector (L)  
ALV-CON-L-XX



**BRITISH COLUMBIA**

1140-2375 Fremont St, Port Coquitlam,  
BC V3B 0N9 | (778) 730-0448

**ALBERTA**

13-2355 52 Ave SE, Calgary, AB  
T2C 4X7 | (403) 907-0212

**ONTARIO**

8-540 Jamieson Pkwy, Cambridge, ON  
N3C 0G5 | (519) 880-9833