



project name	type
catalog number	voltage
approved by	date

VPHB2 VAPOR PROOF LINEAR FIXTURE

The VPHB2 with NEMA4X, NSF, and IP67 ratings is engineered for exceptional durability in harsh environments containing moisture and dust. It is also versatile with PowerSET and ColorSET technology for maximum coverage and on-field flexibility.



FEATURES AND BENEFITS

PERFORMANCE

- Power & Color Select Technology for simplified SKU management and field customization.
 - PowerSet – 3 Power settings
 - ColorSet – 3 CCT settings (3500K/4000K/5000K)
- Full spectrum input voltage: 120-347V
- Lumen packages: 15,000 – 30,000 lumens
- Robust Construction: Withstands moisture, dust and is impact resistant.
- Polycarbonate housing and impact resistant polycarbonate lens with stainless steel clips.
- Technical performance:
 - CRI >80
 - Efficacy of 150 LPW
 - Lumen Maintenance 70% (L70) at > 100,000Hrs
 - Power Factor: 0.9, THD: <20%
 - Amperage Draw: 12VDC Aux, 200mA max
 - Surge Protection: 6kV included
- Ambient operating temperature:
 - -40°F to 104°F (-40°C to 40°C) ambient operating temperature
 - See selected sensor spec sheet for ambient operating temperature with sensor
- All products are DesignLights Consortium (DLC) listed in multiple categories.

INSTALLATION

- Surface mounting clips and V-hooks included
- Multiple knockouts for flexible installation
- Cable glands and knockout plugs included for sealing power cable entries

CONTROLS

- Standard 0-10V dimming with Dim-to-Off.
- Controls Ready design for standalone and networked control options.
- Sensor can be installed through Screw-in stem and Swivel mounting adaptor that attaches to the fixture
 - EiKO Plug-and-Play sensors and controls available.
 - 3rd Party network control options through factory customizations.

APPLICATIONS

- Poultry barns
- Industrial facilities
- Commercial freezers
- Food processing applications
- Warehouses
- Parking Garages

DLC INFORMATION

ORDER CODE	NAME	DLC PRODUCT ID	DLC CLASSIFICATION	DLC PRIMARY USE
120-347V POWERSET & COLORSET				
14992	VPHB2-PS135-8FCCT-HDIM	S-H0XHFL	Premium	Stairwell & Passageway Luminaires
		S-376YMO	Standard	Direct Linear Ambient Luminaires
14993	VPHB2-PS200-8FCCT-HDIM	S-6HPTVX	Premium	Stairwell & Passageway Luminaires
		S-SJRJFH	Standard	Direct Linear Ambient Luminaires
277-480V POWERSET & COLORSET				
15427	VPHB2-PS135-8FCCT-VDIM	-	-	-
15428	VPHB2-PS200-8FCCT-VDIM	-	-	-

All Fixtures ship at highest wattage setting and 4000K CCT.

AVAILABLE MODELS

ORDER CODE	NAME	NOMINAL SIZE	WATTS (W)	COLOR TEMPERATURE (K)	LUMEN OUTPUT (lm)
120-347V					
14992	VPHB2-PS135-8FCCT-HDIM	4 ft	135/120/100W	3500/4000/5000K	20,250/18,000/15,000 lm
14993	VPHB2-PS200-8FCCT-HDIM	4 ft	200/175/150W	3500/4000/5000K	30,000/26,250/22,500 lm
277-480V					
15427	VPHB2-PS135- 8FCCT-VDIM	4 ft	135/120/100W	3500/4000/5000K	20,250/18,000/15,000 lm
15428	VPHB2-PS200- 8FCCT-VDIM	4 ft	200/175/150W	3500/4000/5000K	30,000/26,250/22,500 lm

ORDERING GUIDE

MODEL CONFIGURATOR					FACTORY INSTALLED OPTIONS		
MODEL	WATTS	COLOR TEMPERATURE	INPUT VOLTAGE	DIMMING	CORD LENGTH	CORD END	EMERGENCY OPTIONS
VPHB2		8FCCT		DIM			
VPHB2	PS135 - 135/120/100W PS200 - 200/175/150W	8 - CRI > 80 FCCT - Field Color Selectable (3500K/4000K/5000K)	H - 120-347V V - 277-480V	DIM - 0-10V	[Blank] - 10' 18/3 600V white cord W3xx - 600V 18/6 cord with dimming wires and a 24/7 hot wire for battery backup (Cord end option is not available)	[Blank] - Default, no cord end N01 - 125V 15A straight plug N02 - 250V 15A straight plug N04 - 125V 15A locking plug N05 - 250V 15A locking plug N06 - 277V 15A locking plug N07 - 125V 20A straight plug N08 - 250V 20A straight plug N11 - 250V 20A locking plug N12 - 277V 20A locking plug N13 - 347V 20A locking plug N14 - 480V 20A locking plug	EB20 - 20W Emergency Battery pack, 120-277V

EXAMPLE PART NUMBER: VPHB2-PS200-8FCCT-HDIM-EB20

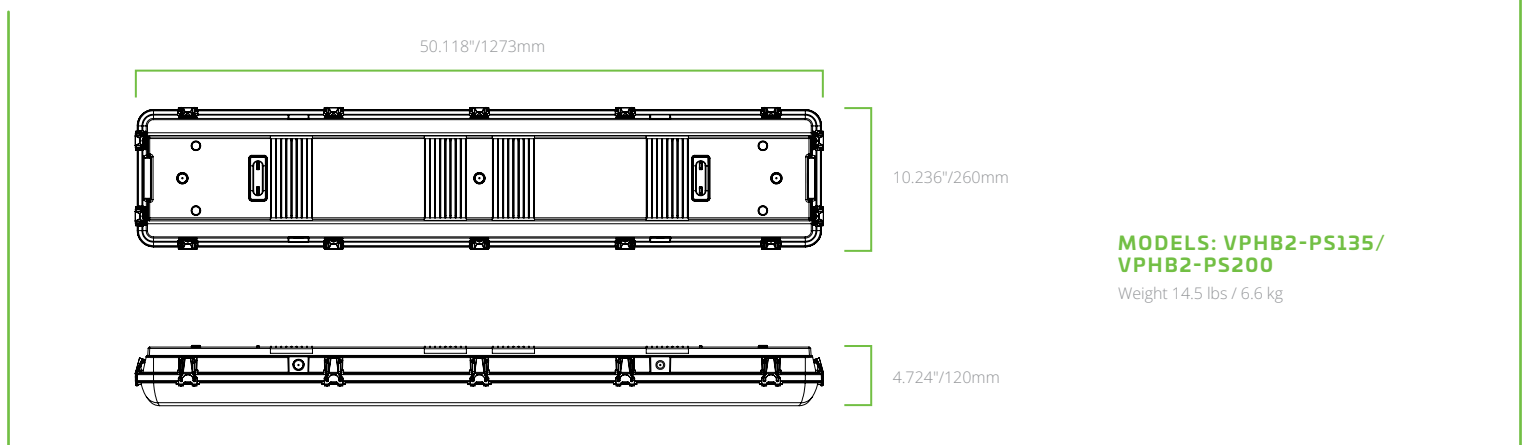
FLUORESCENT & HID REPLACEMENTS GUIDE

FLUORESCENT	HID	VPHB2 WATTS (W)	LUMEN OUTPUT (lm)	NAME
4 lamp 4ft T5/T8	up to 250W HID	135/120/100	20,250/18,000/15,000	VPHB2-PS135-8FCCT-HDIM
6 lamp 4ft T5/T8 4 lamp 4ft T5 HO	up to 400W HID	200/175/150	30,000/26,250/22,500	VPHB2-PS200-8FCCT-HDIM

ACCESSORIES

ORDER	ORDER CODE	NAME	DESCRIPTION
	15609	CORD-183-600V-SOOW-WH-6FT	18 AWG, 3 Conductor, 600V, Type SOOW, White, 6ft
	15607	CORD-183-600V-SOOW-WH-10FT	18 AWG, 3 Conductor, 600V, Type SOOW, White, 10ft

PRODUCT DIMENSIONS



CONTROLS READY

STANDALONE LIGHT & MOTION SENSORS

Field-installable, screw-in, plug-and-play sensors transform Eiko controls ready fixtures into smart lighting devices which respond to the environment and save time, cost and energy consumption, in applications up to 40ft.

Configure Eiko standalone sensor settings using the sensor commissioning tool to achieve desired behavior and enable advanced light control functions, such as Daylight Harvesting and Dusk-to-Dawn dimming.



PIR: SEN5A-SPPR-WH

Recommended use:

- Applications with stable operating temperatures
- Direct line of sight and accurate positioning
- Away from direct sunlight or rapidly changing temperature sources like, HVAC vents.

[View spec sheets for complete product information.](#)





MICROWAVE: SEN5A-SPMR-WH

Recommended use:

- Low Temp applications (i.e commercial freezers)
- Install on fixed mounted fixtures (not recommended for suspended fixtures)
- Away from motor objects like fans & machinery

[View spec sheets for complete product information.](#)

ORDER CODE	MODEL	DESCRIPTION	IMAGE
14431	SENA-AP-WH	Screw-in Stem & Swivel Mounting Adaptor. (Required for use with SEN5A-SPPR-WH, SEN5A-SPMR-WH, SENA-WPPA-WH.)	
13861	SEN5A-SPPR-WH	Standalone Screw-in PIR Motion Sensor	(see image above)
13859	SEN5A-SPMR-WH	Standalone Screw-in Microwave Motion Sensor	
SEN5A COMMISSIONING TOOL			
13344	SEN5A-ACT	Commissioning Tool for SEN5A	

Eiko Standalone sensors come with default settings below:

- Brightness: 100%
- Sensitivity: 75%
- Hold Time: 10 minutes
- Daylight Function: Disable
- Dim level: 30%
- Dim Time: 1 minute

CONTROLS CONT'D

BLUETOOTH NETWORKED SENSOR

EiKO's field-installable screw-in Bluetooth (BLE) enabled PIR sensor brings network control capabilities to EiKO Controls fixtures.

Use the Silvoir Commissioning app to set up and configure the sensor settings and your lighting network.

Pair multiple SENA-WPPA-WH enabled fixtures to create zone and group level control. Add compatible wall stations or switches to complete your desired control plan and advanced control strategies all through the Silvoir App.



PIR : SENA-WPPA-WH


[View spec sheets for complete product information.](#)

Powered by:
SILVAIR



Web App: platform.silvoir.com



ORDER CODE	MODEL	DESCRIPTION	IMAGE
14431	SENA-AP-WH	Screw-in Stem & Swivel Mounting Adaptor. (Required for use with SEN5A-SPPR-WH, SEN5A-SPMR-WH, SENA-WPPA-WH.)	
13865	SENA-WPPA-WH	Bluetooth (BLE) Screw-in PIR Motion sensor	(see image above)

STANDALONE VS NETWORKED CONTROL

FEATURE	STANDALONE CONTROLS	NETWORKED CONTROLS
Operation	Independent	Zone/Group
Commissioning Method	Remote Control (optional)	App (required)
Daylight Harvesting	✓	✓
Sensitivity Adjustment	✓	✓
Time Delay	✓	✓
Occupancy Sensing	✓	✓
Scheduling*		✓
Energy Monitoring*		✓
Remote Access*		✓
Manual Override*		Wireless Wall Controller

*Requires additional parts, please consult your EiKO Sales Representative.