

WARNINGS



RISK OF FIRE, ELECTRICAL SHOCK, CUTS OR OTHER CASUALTY HAZARDS

Installation and maintenance of this product must be performed by a qualified electrician. This product must be installed in accordance with the applicable installation code by a person familiar with the construction and operation of the product and hazards involved.

RISK OF FIRE AND ELECTRIC SHOCK

Make certain power is OFF before starting installation or attempting any maintenance. Disconnect power at fuse or circuit breaker.

RISK OF FIRE

Refer to product label for specific minimum supply conductor requirements.

RISK OF BURN

Disconnect power and allow fixture to cool before handling or servicing.

RISK OF PERSONAL INJURY

Fixture may become damaged and/or unstable if not installed properly.

DISCLAIMER OF LIABILITY: CSC LED assumes no liability for damages or losses of any kind that may arise from the improper, careless, or negligent installation, handling or use of this product.

NOTICE: Green ground wire is provided in proper location. Do not relocate.

SAFETY: This fixture must be wired in accordance with the National Electrical Code and applicable local codes and ordinances. Proper grounding is required to ensure personal safety. Carefully observe grounding procedure under installation section.

APPLICATIONS: This lighting fixture should not be used in an area with limited ventilation or inside high ambient temperature enclosures. It must be stored in a dry location prior to installation.

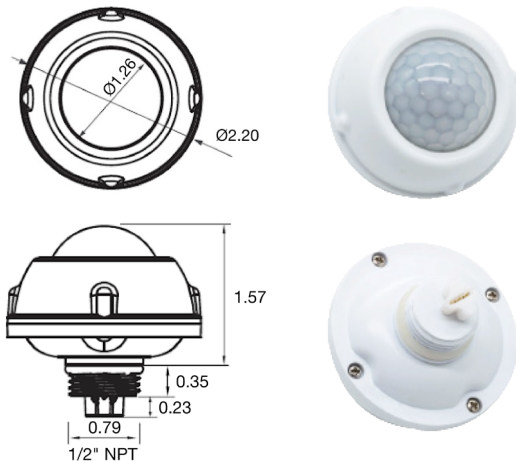
ATTENTION RECEIVING DEPARTMENT: Note actual fixture description of any shortage or noticeable damage on delivery receipt. File claim for common carrier (LTL) directly with carrier. Claims for concealed damage must be filed within 15 days of delivery. All damaged material, complete with original packaging must be retained.

Remote control (MS04-RC) is REQUIRED for operation and must be purchased separately

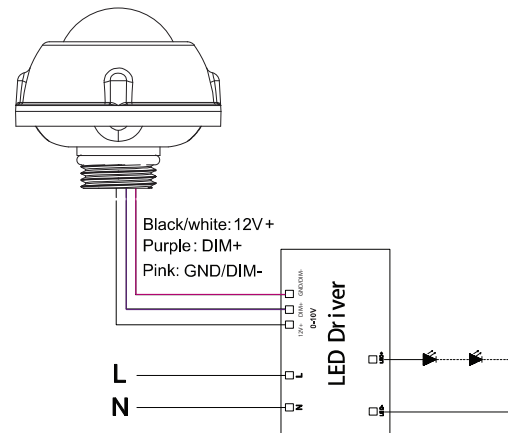
NOTE: You must remove the white plastic which protects the sensor's pins during shipping to ensure the pins make full contact with the circular receptacle on the luminaire. **Do not overtighten** when installing the sensor.



DIMENSIONAL DRAWING



WIRING DIAGRAM



NOTE: When both a motion sensor and a 0-10V dimmer are connected to a single luminaire, the brightness of the luminaire will be set to the lowest brightness setting. This applies to output switch settings on power selectable luminaires as well.

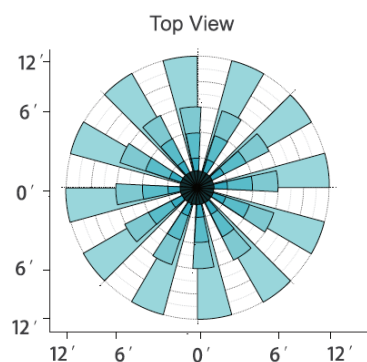
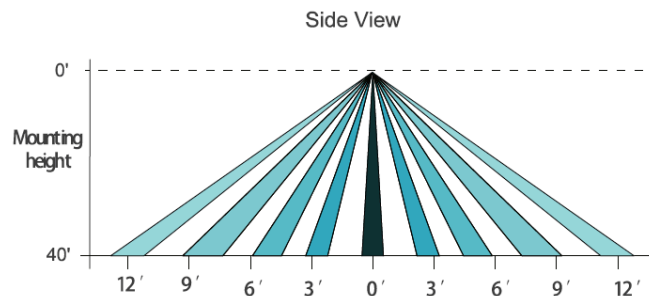
For example, if a 100W fixture is set at 60W (60%) with the power selection switch, the motion sensor is set at 70%, and the 0-10V dimmer switch is set at 50%, the luminaire will default to the lowest brightness - the 50% set by the 0-10V dimmer switch.

Brightness	Hold Time	Stand-by Dim	Stand-by Time	Sensitivity	Daylight
100%	1 minute	20%	1 minute	100%	Disabled

SPECIFICATIONS

Operating Voltage	12 ± 2V DC
Operating Current	30mA
Output	DIM 0-10V
Stand-by Power	<0.5W
Brightness	0%-100% Quick Setting: 70%/80%/90%/100%
Hold Time	10s/1min/10min/30min
Daylight Threshold	10Lux/30Lux/50Lux/100Lux/Disable
Stand-by Time	1min/30min/60min/+∞
Stand-by Dimming Level	10%/20%30%/50%
Detection Angle	≤120° (wall mounted), 360° (ceiling mounted)
Sensitivity	100% (not adjustable)
Mounting Height	Max 12m/39.37 ft (ceiling mounted)
Detection Range	Radius, 2-4 m/6.58-13.12 ft (ceiling mounted)
Operating Temp	-30°C ~ + 60°C
IP Rating	IP65
Warm-up Time	50s

SENSOR COVERAGE



NOTES

- The PIR sensor is sensitive to change in temperature, it is not recommended to install them in places where there is a constant sudden change in temperature (ie. heaters, air vents or large equipment). It is typically used for indoor applications.
- Do not install the PIR sensor near direct heat. This can reduce the effectiveness of the sensor and possibly trigger false alarms.
- When installing the PIR sensor, the sensor's lens should be lower than the edge of the fixture.
- Since the PIR sensor requires a clear line of sight to detect motion, do not place anything in the detection zone.

Please see MS04-RC instructions for sensor programming with the remote control