

FL05 Flood / Area Light

100W/125W/150W | 3000K | 120-347V



Flood / Area lighting has never been easier with all the features you will ever need in one sleek, attractive package. Stocked in Black, Bronze, and White for quick shipping!

PRODUCT CODES: FL05-150W-3P-3CCT-UD-BK, FL05-150W-3P-3CCT-UD-BZ, FL05-150W-3P-3CCT-UD-WH



Available in Black (BK), Bronze (BZ), or White (WH) Finishes

Power Selectable

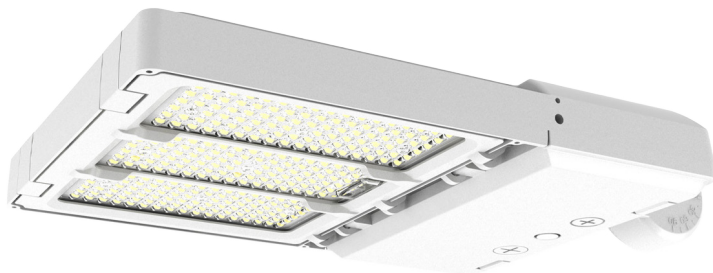
100W / 125W / 150W



120-347V Universal Driver

0-10V dimming

Rugged Die Cast Aluminum Housing



Photocell and Sensor Ready

Easy Field-Interchangeable Optics (Sold Separately)

DarkSky Approved

when set to 3000K operation and used with the FL-FM01-XX* (sold separately)



TECHNICAL DATA



**DARKSKY
APPROVED**
Reduces light pollution
Certified by DarkSky.org



LIGHT SPECIFICATIONS

Efficacy	127.04 lm/W
CCT	3000K
CRI	84
Distribution	Type III
Dimmable	0-10V
L70 Life	50,000 hrs
Warranty	10-year
Factory Settings	150W 4000K Type 3

LUMEN OUTPUT	
	3000K
100W	13838 lm
125W	16320 lm
150W	19056 lm

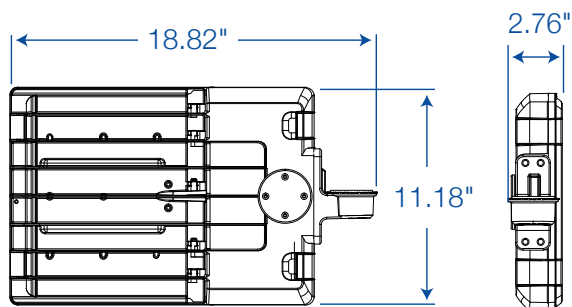
APPROVALS & LISTINGS

cUL	E482965
DLC Premium	S-B0RLKJ, S-RX7ZKG

DIMENSIONS AND WEIGHTS

Fixture Weight	10.12 lbs
Fixture Dimensions	18.8 x 2.8 x 11.2 in
Carton Qty	1
Carton Weight	11.88 lbs
Carton Dimensions	20.47 x 4.84 x 13.15 in

DIMENSIONAL DRAWINGS (IN)



*Where XX Denotes Finish Colour - BK, BZ, or WH

**Photocell Receptacle is REQUIRED for use with Photocell

ELECTRICAL

Wattage	100W/125W/150W
Voltage	120-347V
Current	1.5A
Surge Protection	10kV
Auxiliary Output	12V
Power Factor	0.9
THD	15%
Operating Temp	-40 to 50°C
Operating Temp (with Sensor)	-30 to 50°C

CONSTRUCTION

Power Cord	78"
Housing	Die-Cast Aluminum
Lens	Polycarbonate
Finish	Powder Coated
Finish Colour	Black / Bronze / White
IP Rating	IP65
EPA	1.6 ft ²

ACCESSORIES* (Sold Separately)

Fixed Mount	FL-FM01-XX
Microwave Motion Sensor	MS04-MW-TW-DC
PIR Motion Sensor	MS01-PIR-TW-DC
Motion Sensor Remote	MS04-RC
Type II Lens	FL-TYPE-II-SM
Type IV Lens	FL-TYPE-IV-SM
Type V Lens	FL-TYPE-V-SM
Visor	FL-VISOR01-SM-XX
Photocell (120-277V)	JL-205LV
Photocell (347V)	JL-207E
Photocell Receptacle**	JL-200
Shorting Cap	JL-208



Fixed Mount

FL-FM01-BK
FL-FM01-BZ
FL-FM01-WH