

# FL05 Flood / Area Light

60W/80W/100W | 3000K | 120-347V



Flood / Area lighting has never been easier with all the features you will ever need in one sleek, attractive package. Stocked in Black and Bronze for quick shipping!

PRODUCT CODES: FL05-100W-3P-3CCT-UD-BK, FL05-100W-3P-3CCT-UD-BZ

Available in Black (BK)  
or Bronze (BZ) Finishes

Power Selectable  
60W / 80W / 100W

120-347V Universal Driver  
0-10V dimming

Rugged Die Cast  
Aluminum Housing

Photocell and Sensor Ready

Easy Field-Interchangeable  
Optics (Sold Separately)

DarkSky Approved

when set to 3000K operation  
and used with the FL-FM01-XX\*  
(sold separately)



## TECHNICAL DATA



**DARKSKY  
APPROVED**  
Reduces light pollution  
Certified by DarkSky.org



### LIGHT SPECIFICATIONS

Efficacy	130.36 lm/W
CCT	3000K
CRI	84
Distribution	Type III
Dimmable	0-10V
L70 Life	50,000 hrs
Warranty	10-year
Factory Settings	100W   4000K   Type 3

LUMEN OUTPUT	
	3000K
60W	8825 lm
80W	11228 lm
100W	13306 lm

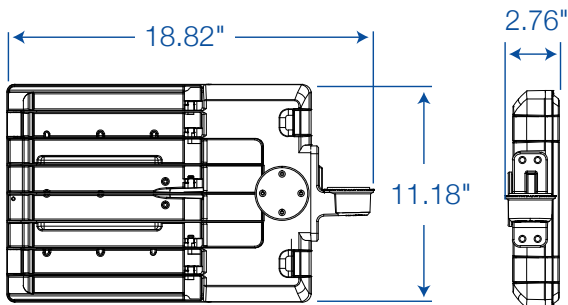
### APPROVALS & LISTINGS

cUL	E482965
DLC Premium	S-2YSG04, S-1MIKA7

### DIMENSIONS AND WEIGHTS

Fixture Weight	10.12 lbs
Fixture Dimensions	18.8 x 2.8 x 11.2 in
Carton Qty	1
Carton Weight	11.88 lbs
Carton Dimensions	20.47 x 4.84 x 13.15 in

### DIMENSIONAL DRAWINGS (IN)



### ELECTRICAL

Wattage	60W/80W/100W
Voltage	120-347V
Current	1A
Surge Protection	10kV
Auxiliary Output	12V
Power Factor	0.9
THD	15%
Operating Temp	-40 to 50°C
Operating Temp (with Sensor)	-30 to 50°C

### CONSTRUCTION

Power Cord	78"
Housing	Die-Cast Aluminum
Lens	Polycarbonate
Finish	Powder Coated
Finish Colour	Black or Bronze
IP Rating	IP65
EPA	1.6 ft <sup>2</sup>

### ACCESSORIES\* (Sold Separately)

Fixed Mount	FL-FM01-XX
Microwave Motion Sensor	MS04-MW-TW-DC
PIR Motion Sensor	MS01-PIR-TW-DC
Motion Sensor Remote	MS04-RC
Type II Lens	FL-TYPE-II-SM
Type IV Lens	FL-TYPE-IV-SM
Type V Lens	FL-TYPE-V-SM
Visor	FL-VISOR01-SM-XX
Photocell (120-277V)	JL-205LV
Photocell (347V)	JL-207E
Photocell Receptacle**	JL-200
Shorting Cap	JL-208

\*Where XX Denotes Finish Colour - BK or BZ

\*\*Photocell Receptacle is REQUIRED for use with Photocell



#### Fixed Mount

FL-FM01-BK  
FL-FM01-BZ