

Series Spec Sheet

SLBW

WEATHERPROOF BATTERY UNIT

The SLBW weatherproof battery unit is a compact, durable solution designed for dependable performance in wet location environments. Its flame-retardant enclosure features smooth, modern lines, to suit any installation.

FEATURES AND SPECIFICATIONS

• Circuitry

- LED ultra bright light source
- 120-347 VAC input
- Maintenance free, 7.2V Ni-cad battery
- Wet location
- IP65
- Cold Weather temperature: -25°C to +50°C

• Mechanical

- High impact thermoplastic construction
- Brownout and short circuit protection
- Test switch and battery charging indicator
- Complete battery recharge in 24 hours
- Universal mounting
- Fully adjustable, LED heads are standard

• Approvals

- cUL

OVERVIEW

Light source	LED
Input voltage (V AC)	120-347
Duration	120 mins
Lumens	600 lumens total



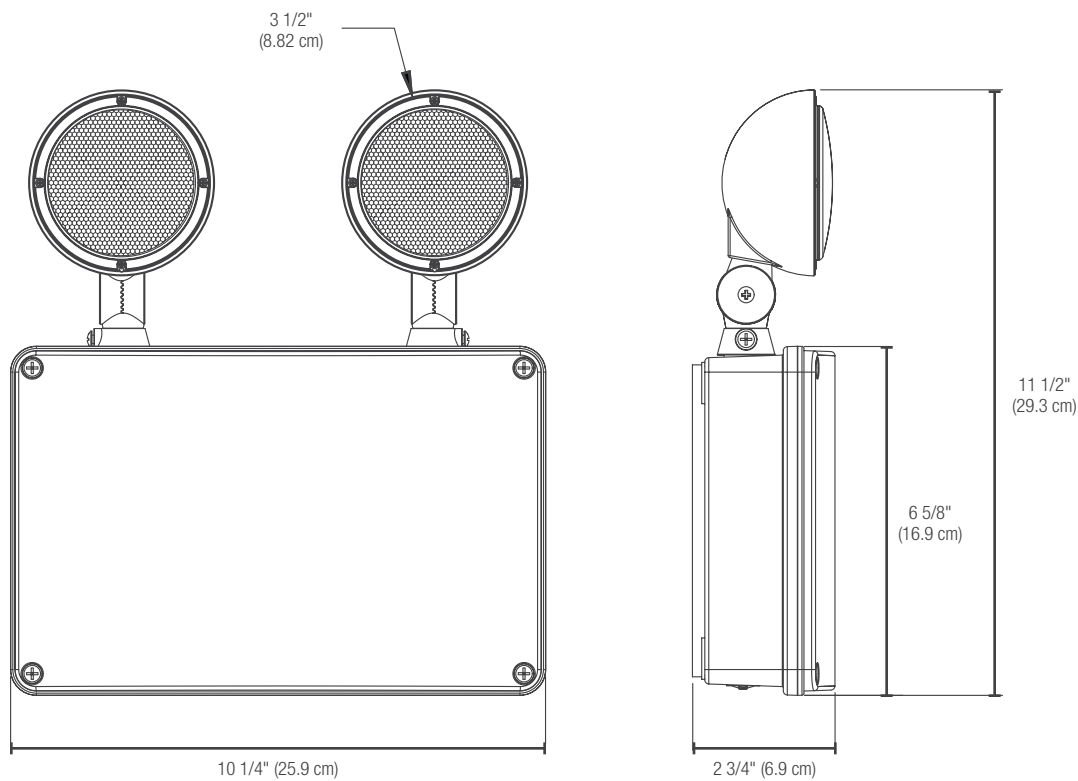
TECHNICAL SPECIFICATION TABLE

Order Code	Series	Nbr of Heads	Lamp (W)	Light Source	Input Volts (V AC)	Colour	Option
70720	SLBW-WH-CW	2	2.5	LED	120-347	White	Cold Weather

SPACING GUIDE

Mounting height (ft)	Spacing center to center (ft)
8	67
10	64
15	58

DIMENSIONS



Data is based upon tests performed in a controlled environment. Actual performance can vary depending on operating conditions. All products are subject to change or may be discontinued any time without notice. Please contact your Stanpro customer service representative to confirm inventory levels at time of order.